



Distributed  
by:



Ph: 612-331-1776  
www.duncanco.com

## Spun Sampling Cylinders



Spun sampling cylinders



CRANE Instrumentation & Sampling, HOKE®  
PO Box 4866 • Spartanburg, SC 29305-4866  
(864) 574-7966 • www.hoke.com

## **For Your Safety**

---

It is solely the responsibility of the system designer and user to select products suitable for their specific application requirements and to ensure proper installation, operation, and maintenance of these products. When selecting products, the total system design must be considered to ensure safe, trouble-free performance. Material compatibility, product ratings and application details should be considered in the selection. Improper selection or use of products described herein can cause personal injury or property damage.

Contact your authorized HOKE® sales and service representative for information about additional sizes and special alloys.

## **SAFETY WARNING:**

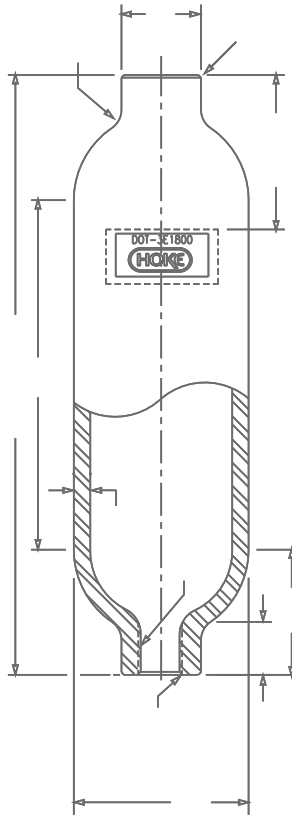
---

HOKE® products are designed for installation only by professional suitably qualified licensed system installers experienced in the applications and environments for which the products are intended. These products are intended for integration into a system. Where these products are to be used with flammable or hazardous media, precautions must be taken by the system designer and installer to ensure the safety of persons and property. Flammable or hazardous media pose risks associated with fire or explosion, as well as burning, poisoning or other injury or death to persons and/or destruction of property. The system designer and installer must provide for the capture and control of such substances from any vents in the product(s). The system installer must not permit any leakage or uncontrolled escape of hazardous or flammable substances. The system operator must be trained to follow appropriate precautions and must inspect and maintain the system and its components including the product(s) and at regular intervals in accordance with timescales recommended by the supplier to prevent unacceptable wear or failure.



# Spun Sampling Cylinders

316 Stainless Steel DOT Series



Spun sampling cylinders

## Typical Applications

- Sampling hydrocarbons in refineries and petrochemical plants
- Gas sampling for chromatographic analysis
- Snubbers in reactor feed lines
- Surge accumulators in high pressure gas systems
- High vacuum systems as experimental chambers and molecular sieves
- Chemical reaction vessels

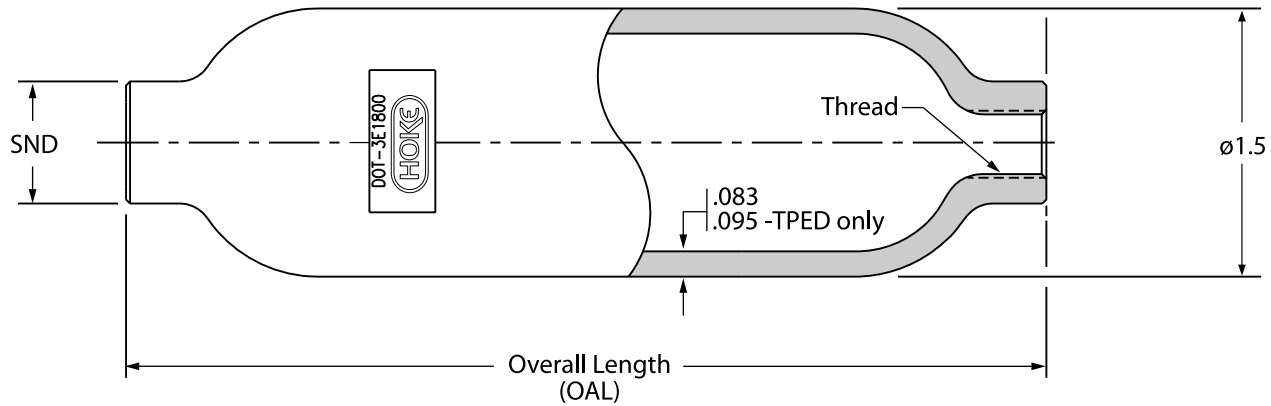
## Features & Benefits

- Manufactured and tested to DOT 3E or 3A requirements
- Each cylinder is identified with the HOKE® logo
- Cylinders are rated to 1800 psi
- Choice of 7 capacities, ranging from 75 cc to 3785 cc (1 gallon)
- Cylinder heads are formed by utilizing spinning process for consistent strength, size and dimensions.
- All interior surfaces are sandblasted for a clean, even surface.
- Neck ring and cap standard on 2250 cc and 3750 cc.
- Thread ends per ANSI B1.20.1
- All cylinders are hydrostatically proof-tested at 3000 psig (206 BAR).
- 150cc, 300cc, 500cc and 1000cc sizes are available as TPED - Approved
- Special High Tolerance NPT Thread

# Spun Sampling Cylinders

## Dimensions

HOKE® DOT 3E Sample Cylinder, 1.5" (3.81 cm)



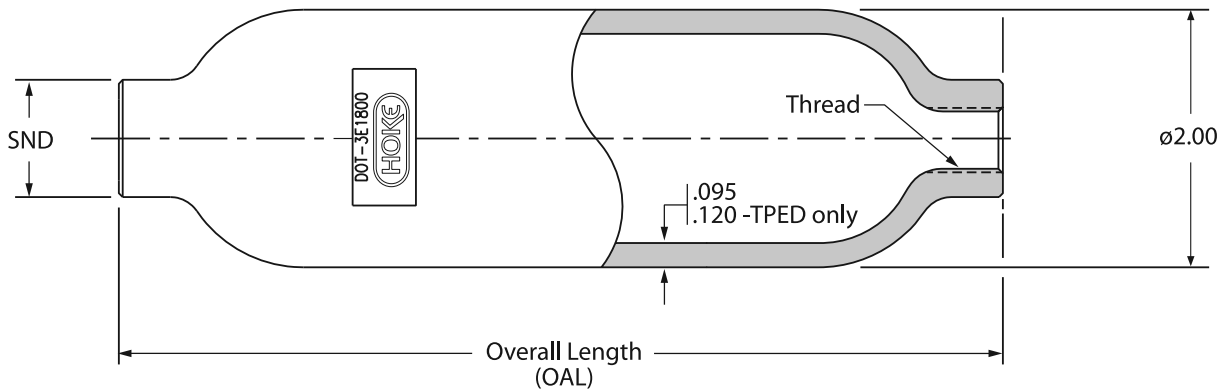
## Technical Data

PART NO.	MIN. VOLUME	MAX. WEIGHT	OVERALL LENGTH ±0.10" (±2.5mm)	'SND' ±0.02" (±0.5mm)	THREAD	OPERATING PRESSURE
* HS4HDY75	75 cc (4.6 in. <sup>3</sup> )	0.6 lbs. (0.3 kg)	4.88" (12.40 cm)	0.72" (1.83 cm)	¼-18 NPT	1800 psig (124 BAR)
HS4HDY150	150 cc (9.2 in. <sup>3</sup> )	1.0 lbs. (0.5 kg)	8.25" (20.96 cm)	0.72" (1.83 cm)	¼-18 NPT	1800 psig (124 BAR)

\* Not available as TPED - Approved

## Dimensions

HOKE® DOT 3E Sample Cylinder, 2.0" (5.08 cm)



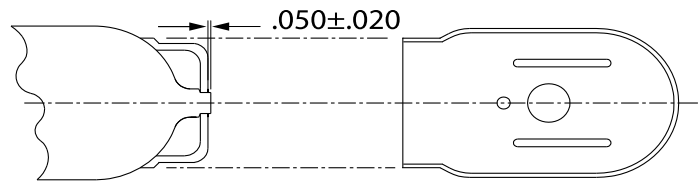
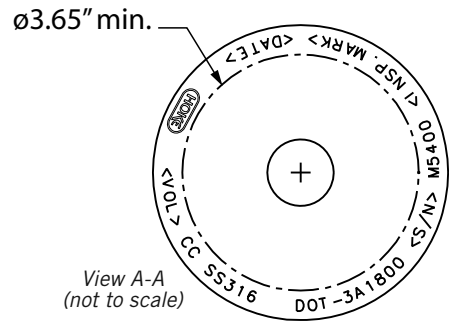
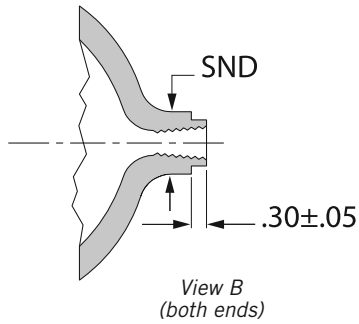
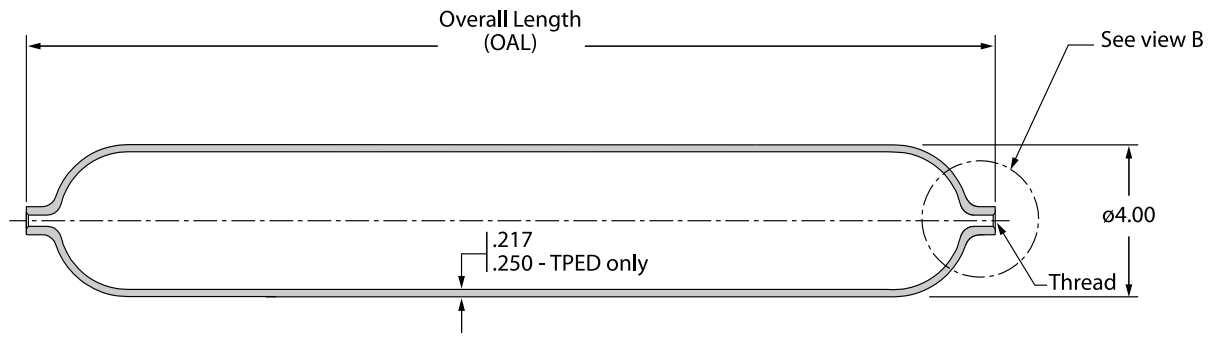
## Technical Data

PART NO.	MIN. VOLUME	MAX. WEIGHT	OVERALL LENGTH ±0.10" (±2.5mm)	'SND' ±0.02" (±0.5mm)	THREAD	OPERATING PRESSURE
HS4HDY300	300 cc (18.3 in. <sup>3</sup> )	1.8 lbs. (0.8 kg)	9.25" (23.5 cm)	0.74" (1.83 cm)	¼-18 NPT	1800 psig (124 BAR)
HS4HDY500	500 cc (30.5 in. <sup>3</sup> )	2.5 lbs. (1.1 kg)	13.88" (35.26 cm)	0.74" (1.83 cm)	¼-18 NPT	1800 psig (124 BAR)

# Spun Sampling Cylinders

## Dimensions

HOKE® DOT 3A Sample Cylinder, 4.0" (10.16 cm)



## Technical Data

PART NO.	MIN. VOLUME	MAX. WEIGHT	OVERALL LENGTH ±0.10" (±4mm)	'SND' ±0.02" (±0.5mm)	THREAD	OPERATING PRESSURE
HS4HDY1000	1000 cc (60.1 in. <sup>3</sup> )	7.5 lbs. (3.4 kg)	9.5" (24.13 cm)	1.0" (2.54 cm)	¼-18 NPT	1800 psig (124 BAR)
<sup>2</sup> HS8HDY1000	1000 cc (60.1 in. <sup>3</sup> )	7.5 lbs. (3.4 kg)	9.5" (24.13 cm)	1.2" (3.05 cm)	½-14 NPT	1800 psig (124 BAR)
<sup>1,2</sup> HS8HDY2250	2250 cc (13.3 in. <sup>3</sup> )	12.9 lbs. (5.9 kg)	17.2" (43.69 cm)	1.2" (3.05 cm)	½-14 NPT	1800 psig (124 BAR)
<sup>1,2</sup> HS8HDY1G	3785 cc (231.0 in. <sup>3</sup> )	20.6 lbs. (9.4 kg)	26.5" (67.31 cm)	1.2" (3.05 cm)	½-14 NPT	1800 psig (124 BAR)

<sup>1</sup> Neck ring and cap assembly are only available for and are standard on the 2250 cc and 3785 cc (1 gal.) cylinders

<sup>2</sup> Not available as TPED - Approved

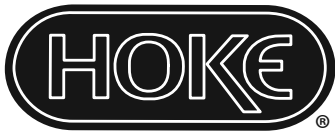
# Spun Sampling Cylinders

## How to Order

MIN. VOLUME	THREAD	STANDARD	TPED-APPROVED
75 cc (4.6 in. <sup>3</sup> )	¼-18 NPT	HS4HDY75	—
150 cc (9.2 in. <sup>3</sup> )	¼-18 NPT	HS4HDY150	HS4HDY150-TPED
300 cc (18.3 in. <sup>3</sup> )	¼-18 NPT	HS4HDY300	HS4HDY300-TPED
500 cc (30.5 in. <sup>3</sup> )	¼-18 NPT	HS4HDY500	HS4HDY500-TPED
1000 cc (60.1 in. <sup>3</sup> )	¼-18 NPT	HS4HDY1000	HS4HDY1000-TPED
1000 cc (60.1 in. <sup>3</sup> )	½-14 NPT	HS8HDY1000	—
2250 cc (13.3 in. <sup>3</sup> )	½-14 NPT	HS8HDY2250	—
3785 cc (231.0 in. <sup>3</sup> )	½-14 NPT	HS8HDY1G	—

Grafoil® is a registered trademark of UCAR Carbon Company, Inc.  
GRAPH-LOCK® is a registered trademark of Garlock Sealing Technologies.  
GYROLOK® and Dyna-Pak® are registered trademarks of HOKE®.  
MONEL® is a registered trademark of Special Metals Corporation.  
Viton® is a registered trademark of DuPont Dow Elastomers.

[www.ucar.com](http://www.ucar.com)  
[www.garlock.com](http://www.garlock.com)  
[www.hoke.com](http://www.hoke.com)  
[www.specialmetals.com](http://www.specialmetals.com)  
[www.dupontelastomers.com](http://www.dupontelastomers.com)



---

## The Small Bore Instrumentation Specialists

---



We specialize in small bore instrumentation products up to 2" that deliver benchmark performance quality & safety; provide the broadest array of superior alloy offerings in the market; decades of proven success in a wide range of industries; a roster of "who's who" customers & projects globally; original "Best Solution" engineering & designs; and are focused on continuous improvement in all aspects of our business.

### Proudly Distributed By:

---



CRANE INSTRUMENTATION &  
SAMPLING Inc.  
405 Centura Ct.  
Spartanburg, SC 29305, USA  
Tel: 1-864-574-7966  
PO Box 4866, Spartanburg, SC  
29305-4866 USA

Crane Co., and its subsidiaries cannot accept responsibility for possible errors in catalogues, brochures, other printed materials, and website information. Crane Co. reserves the right to alter its products without notice, including products already on order provided that such alteration can be made without changes being necessary in specifications already agreed. All trademarks in this material are the property of the Crane Co. or its subsidiaries. The Crane and Crane brands logotype (CENTER LINE®, COMPAC-NOZ®, CRANE®, DEPA® & ELRO®, DOPAK®, DUO-CHEK®, FLOWSEAL®, GYROLOK®, GO REGULATOR®, HOKE®, JENKINS®, KROMBACH®, NOZ-CHEK®, PACIFIC VALVES®, RESISTOFLEX®, REVO®, SAUNDERS®, STOCKHAM®, TEXAS SAMPLING®, TRIANGLE®, UNI-CHEK®, VALVES®, WTA®, and XOMOX®) are registered trademarks of Crane Co. All rights reserved.