



World class products and outstanding customer service since 1958

## SERIES 8400 RELIEF VALVE

**PRESSURE RELIEF IN APPLICATIONS WHERE HAZARDOUS VAPORS ARE TO BE PIPED AWAY** The 8400 Series Relief Valve is the right choice to maintain safe, internal working pressure while preventing routine expulsion of waste to the atmosphere. Standard pressure settings are 2 inches of water column to 14.7 psi. Seats are stainless steel. Available sizes: 1", 2", 3".

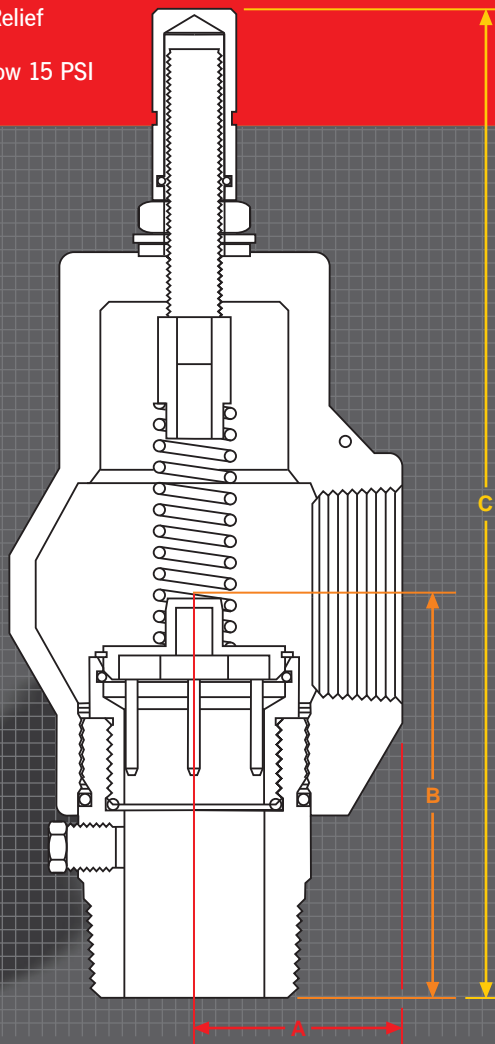
### USES OF VAPOR VALVE

- Glycol Reboiler Safety Relief
- BTEX Safety Relief
- Vessel Safety Relief below 15 PSI
- Tank Blanketing

Distributed by:

**DUNCAN CO**

www.duncanco.com  
612-331-1776



### SPECIFICATIONS

Flow Diameter	Pressure Range	Standard Connections
Full Bore	2 IWC to 14.7 psi	1" MNPT x 1" FNPT
Full Bore	2 IWC to 14.7 psi	2" MNPT x 2" FNPT
Full Bore	2 IWC to 14.7 psi	3" MNPT x 3" FNPT

### DIMENSIONS & WEIGHTS

Connection Size		Threaded Connections		Dimensions						Approximate Weight	
				A		B		C			
Inlet	Outlet	Inlet	Outlet	inches	mm	inches	mm	inches	mm	lbs	kg
1"	1"	MNPT	FNPT	1.65	41.91	3.44	87.38	6.57	166.89	4.3	1.95
2"	2"	MNPT	FNPT	2.19	55.63	4.25	107.95	6.18	156.97	11.6	5.26
3"	3"	MNPT	FNPT	3.63	92.2	5.93	136.9	9.5	241.3	35.5	16.1



**TAYLOR VALVE  
TECHNOLOGY**

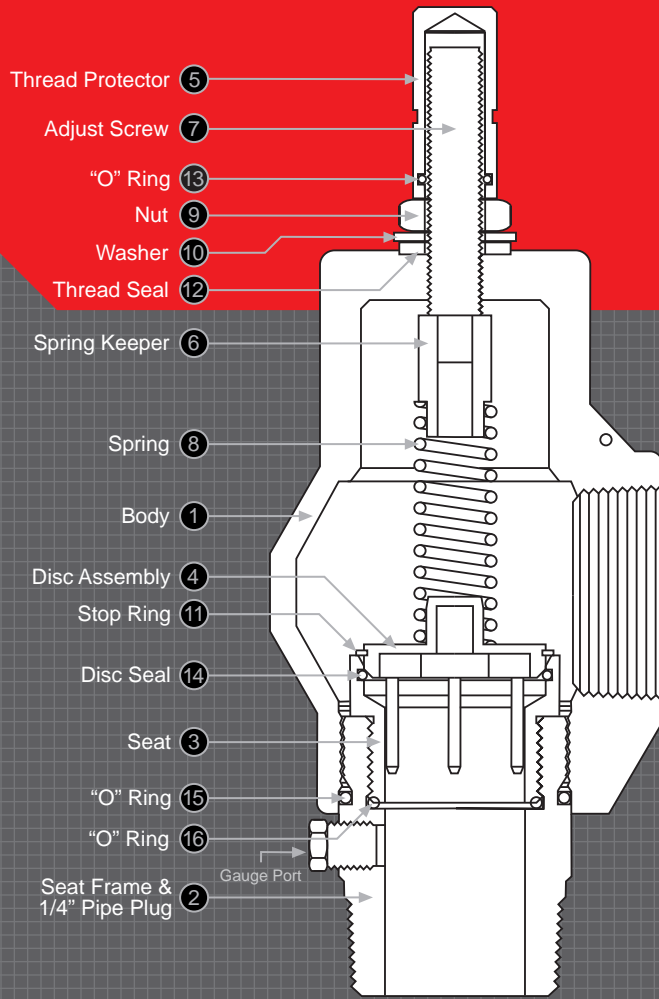
(800) 654-4196 (405) 787-0145  
fax (405) 789-8198

www.taylorvalve.com email: info@taylorvalve.com  
8300 S.W. 8th, Oklahoma City, Oklahoma 73128

SERIES 8400 RELIEF VALVE

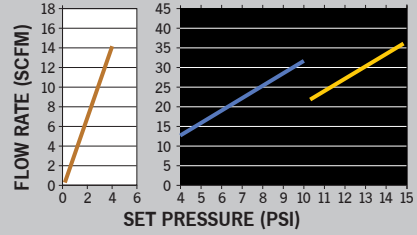
# SERIES 8400 RELIEF VALVE

SERIES 8400 RELIEF VALVE

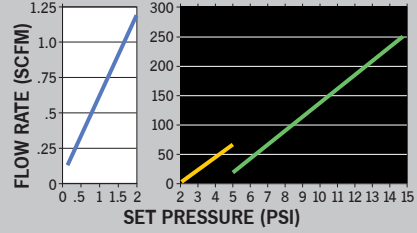


## FLOW RATES

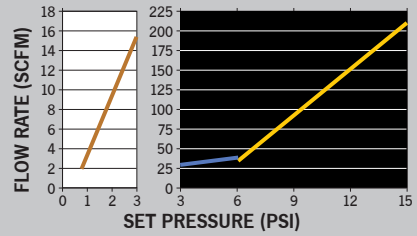
**1" VAPOR VALVE**  
FLOW RATE AT 20% OVER SET PRESSURE



**2" VAPOR VALVE**  
FLOW RATE AT 20% OVER SET PRESSURE



**3" VAPOR VALVE**  
FLOW RATE AT 20% OVER SET PRESSURE



Line color denotes color of the spring

## BILL OF MATERIALS

#	Part Description	Material	
		Standard	SS
1	Body	Steel WCC	CF8M
2	Seat Frame & 1/4" Pipe Plug	Steel	316 SS
3	Seat	316 SS	316 SS
4	Disc Assembly	17-4 SS	17-4 SS
5	Thread Protector	Steel	302 SS
6	Spring Keeper	Steel	302 SS
7	Adjust Screw	Steel	302 SS
8	Spring	17-7 SS	17-7 SS
9	Nut	Steel	Steel
10	Washer	Steel	Steel
11	Stop Ring	18-8 SS	18-8 SS
12	Thread Seal	Steel & Viton*	Steel & Viton*
13	"O" Ring	Viton*	Viton*
14	Disc Seal	Viton*	Viton*
15	"O" Ring	Viton*	Viton*
16	"O" Ring	Viton*	Viton*

Alternate Materials and Connections Available

\*DuPont Trademark

## VALVE PART NUMBERS

#	Spring	Size	Body & Seat Frame Material
84	01 Brown	01 1" MNPT x 1" FNPT	03 Carbon Steel
	02 Blue	02 2" MNPT x 2" FNPT	05 316 SS
	03 Yellow	03 3" MNPT x 3" FNPT	
	04 Green		

Example: 84 - 020305

84	02 Blue	03 3" MNPT x 3" FNPT	05 316 SS
----	---------	----------------------	-----------

## SPRING PART NUMBERS

Color	Size		
	1"	2"	3"
Brown	05-001615		05-006115
Blue	05-001115	05-001115	05-006215
Yellow	05-001215	05-001215	05-006315
Green		05-001315	



(800) 654-4196 (405) 787-0145  
fax (405) 789-8198

www.taylorvalve.com email: info@taylorvalve.com  
8300 S.W. 8th, Oklahoma City, Oklahoma 73128