

S10 Suspended Solids Sensor

Get better control of your suspended solids, control your losses, control product change, control concentration, control dosing - accurately and repeatedly.

- Four beam self compensating sensor, virtually eliminates drift due to contamination or electronic ageing.
- One piece body, no lenses to leak, glass free.
- Range of sensors to best suit application.
- Both Immersion and Hygienic configurations.
- Simple user interface.
- Accurate, repeatable & reliable.

S10 Measurement Range, 0 to 25g/L normal activated sludge. 0 to 40% Milk Fat



S10-2HY



S10-3HY



S10-IMM

S10-2HY INLINE HYGIENIC STYLE - 3A CERTIFIED

Hygienic style sensors are designed for installation directly into food product lines where CIP cleaning is used.

Hygienic Style Applications include;

- Fruit Pulp Monitoring
- Milk Fat Concentration
- Product to Water Interface
- Solids Concentration Control

S10-IMM IMMERSION STYLE

Immersion style sensors are designed for continuous on-line monitoring of suspended solids in industrial/municipal water and waste water treatment plants.

Immersion Style Applications include;

- Return and Waste Sludge measurements
- Thickened and digested sludge to clarifiers
- Centrifugal, gravity or filter.

Specifications

Measuring Range

Immersion Sensor:

0 to 25 g/L in normal activated sludge

0 to 4% Coal fines

Hygienic Sensor:

0 to 40% Milk Fat

(the measuring range will vary according to media and particle characteristics)

Accuracy

+/- 2% of reading

Repeatability

+/- 1% of reading

Temperature

0 to 85°C operating range

Pressure

10 Bar

Cable:

Polyurethane covered cable rated to 95°C.

Extension cables can be supplied to extend the cable up to 50m.

Transmitter

Quadbeam MXD75 or MXD73

Model No. Selection Guide

Body Style

S10-IMM- Immersion Style Body

S10-2HY- Hygienic Style body with 2" Triclover fitting

S10-3HY - Hygienic Style Body with 3" Triclover fitting.

Wave Length

880nm - Standard. Other wave lengths available

Body Material

PP - Polypropylene

Cable

10- Both immersion and hygienic sensors are supplied with a 10m cable as standard. Other lengths available

Connector

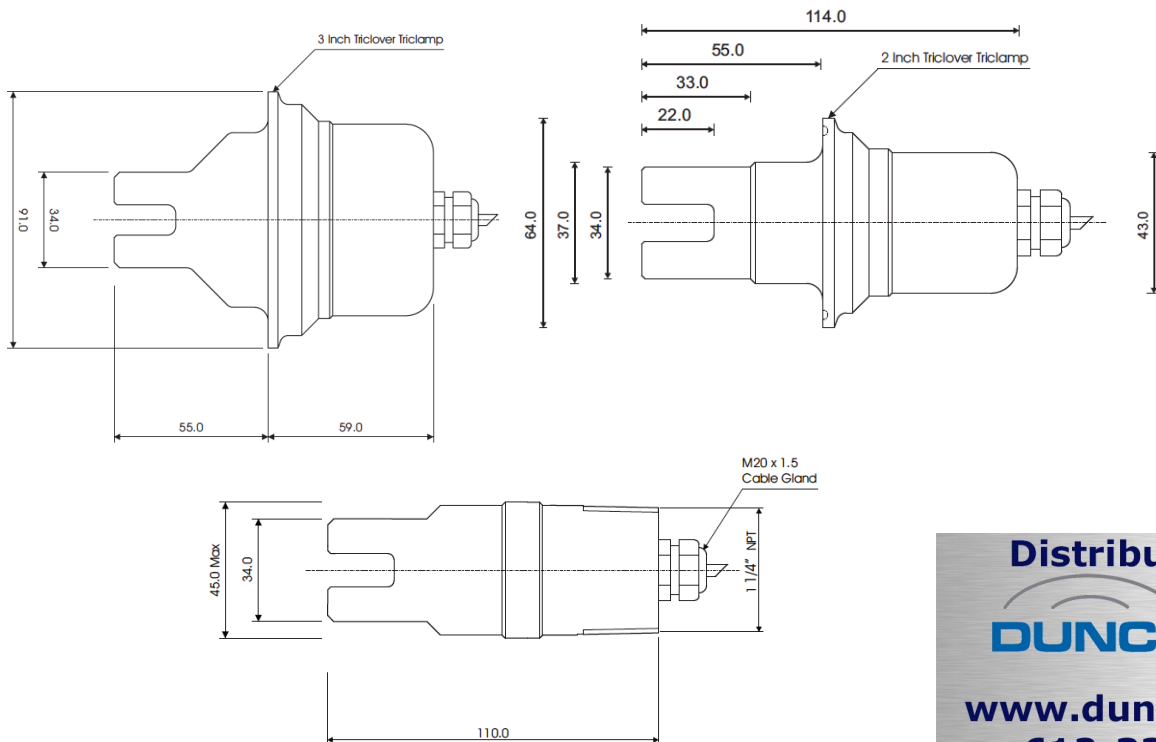
NC- No Connector. Cores stripped and crimped for direct connection with the MXD Transmitters

CA - Amphenol Connector. For use with Hygienic sensors using extension cables.

Sample model no; S10-IMM-880-PP-10-NC

Optional Extras:

Cleaner - powered using air at 10Bar.



Quadbeam Technologies Ltd
10/16 Alpito Place, Pukekohe, Auckland, New Zealand
PO Box 1142 Pukekohe, Auckland 2340, New Zealand
ph+64-9-2384609
www.quadbeam.com info@quadbeam.com

Distributed by:
DUNCAN CO
www.duncanco.com
612-331-1776