



# QUADBEAM TECHNOLOGIES

~ Specialists in process suspended solids & turbidity ~

## High Temperature (HT) Sensors

Distributed by:

**DUNCAN CO**

[www.duncanco.com](http://www.duncanco.com)

**612-331-1776**

### High Temp (HT) Sensors

- Available in both Immersion and Hygiene designs with Triclover fittings.
- HT Sensors cover similar ranges to the equivalent S Series Sensors and are used in similar applications.
- All bodies are manufactured from PVDF.
- Max working temp 105 C



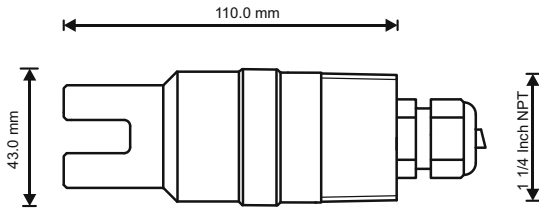
**S20 Immersion Sensor**



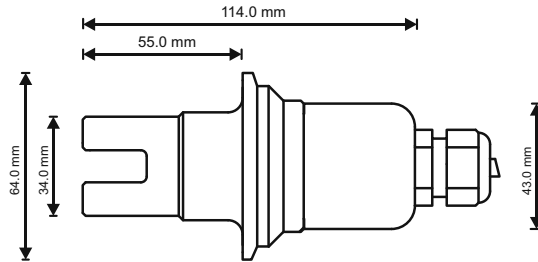
**S20 Sensor**

# HT Sensor Dimensions

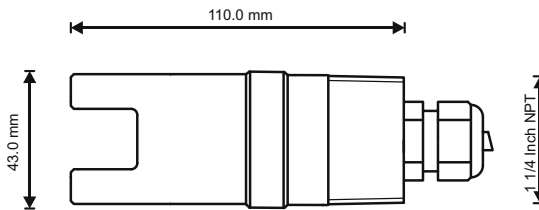
## S10 HT Immersion Sensor



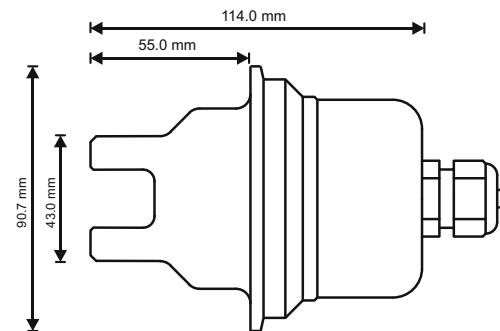
## S10 HT Hygienic Sensor



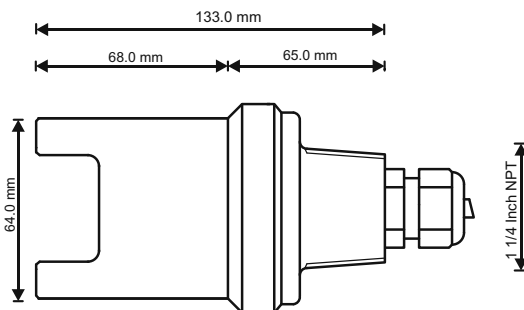
## S20 HT Immersion Sensor



## S20 HT Hygienic Sensor



## S40 HT Immersion Sensor



\* Due to our policy of continuous improvements, specifications are subject to change without notice.