



2 7/8" (73 mm)

4" (102 mm)

# LIGHTING FOR HAZARDOUS LOCATIONS

## Series SLEX-100 and REX-100



### A COMPACT, EXPLOSION-PROOF LIGHT UL-844 & C-UL/CSA C22.2 LISTED TO PROVIDE LIGHTING AND VIEWING THROUGH A SINGLE SIGHT PORT

Explosion-proof, UL-844 and C-UL/CSA C22.2 No. 137 listed, electric lighting fixtures are used in hazardous (classified) locations. Lights for single port viewing have been designed to meet the needs of our customers who require lighting and viewing through a single sightglass.

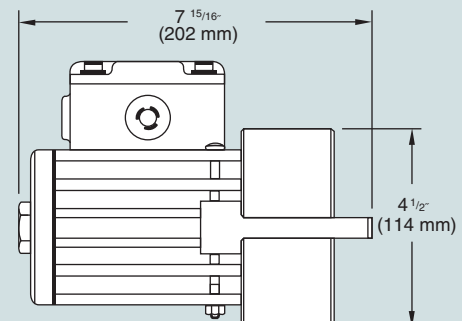
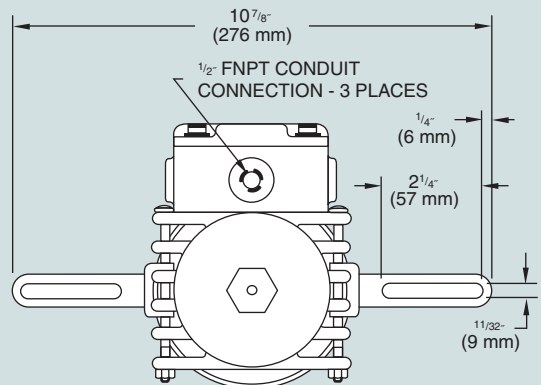
Designated the REX-100 and the SLEX-100, both models use high-intensity halogen lamps to provide bright, glare-free illumination of the interior of vessels, tanks, hoppers, silos, mixers, and other normally closed containers in hazardous locations requiring explosion-proof equipment. The REX-100 is provided with a highly polished internal reflector which increases the illumination intensity.

The explosion-proof light can be supplied mounted to the upper flange of our circular sightglass to form a complete light/sightglass assembly. The light fixture can also be mounted to our smaller viewing diameter sightglasses such as 3-1/4" and 4" to form illumination ports. The illumination port used in conjunction with a standard sightglass offers the user many options. A typical option would be the use of a video or TV camera on the free sightglass while the illumination port provides the necessary lighting.

The explosion-proof light fixtures can also be easily mounted to existing sightglasses by means of the slotted brackets provided.

### FEATURES

- The fixture can be relamped without removing the unit from the sight port or disturbing any electrical connections.
- Lamp and wiring compartments are separate and are individually explosion-proof per UL-844 and C-UL/CSA C22.2 No. 137.
- Lighting fixture is mounted to outer sightglass flange, completely external to vessel pressure.
- The fixture can easily be mounted on existing pressure vessel installations by means of brackets provided.
- The corrosion resistant fixtures are made of copper-free (less than 0.004 copper content) aluminum alloy—No. 356T6.
- Castings have heavy walls to withstand internal explosions without damage. They will also contain and extinguish the flames of burning gases—before they ignite the surrounding atmosphere.
- All metal joints are either threaded or ground. The glass lens is finely ground borosilicate glass that mates with the precisely machined seat in the body of the fixture to form the seal.



Represented by: **DUNCAN CO** Ph: 612-331-1776  
www.duncanco.com