

LIGHT/SIGHTGLASS COMBINATION

Series PL/NW

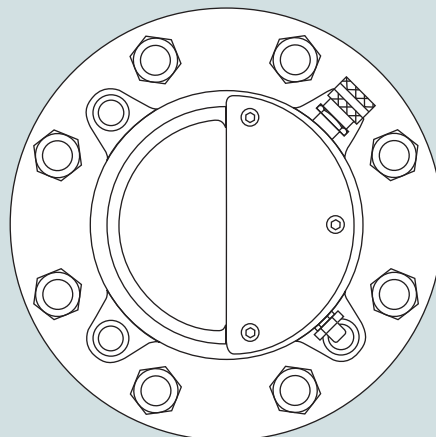
Distributed by:

DUNCAN CO

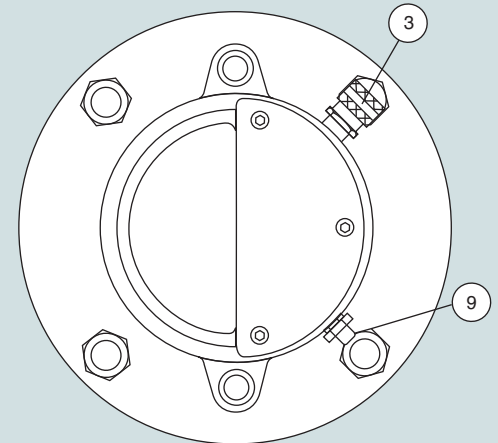
www.duncanco.com

612-331-1776

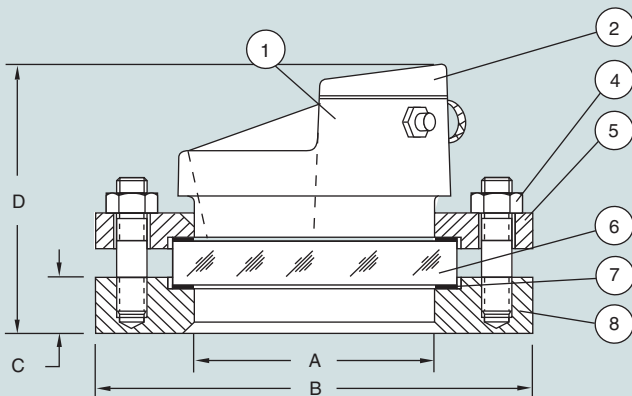
Observing the contents in a processing vessel normally requires the use of two sight-glasses: one for lighting, the other for viewing. The Series PL/NW eliminates the expense of an additional port and the expense to install it. The UL-1571 Listed Series PL lighting unit and the corresponding Series NW sightglass provide glare-free illumination precisely where you want it—at the viewing port.



Viewing Diameters 5", 6", 7", & 9"



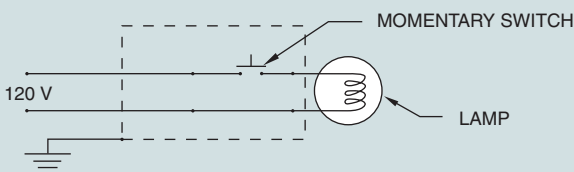
Viewing Diameters 3 1/4" & 4"



PARTS & AVAILABLE MATERIALS

The diagram refers to:

ITEM	PART DESCRIPTION	MATERIAL
1	PL light housing	Aluminum
2	Housing cover	Aluminum
3	Cable gland	
4	Stud and nut	Alloy steel
5	Upper flange	Type 304 stainless steel; Other alloys available
6	Lens	Tempered soda lime; tempered borosilicate and quartz available
7	Gasket	Neoprene
8	Lower flange	Carbon steel, Type 304, 304L, 316, 316L stainless steel; other alloys available
9	Switch with separate watertight boot	



WIRING DIAGRAM

NOMINAL VIEWING DIAMETER	Size	VOLTAGE	WATTS	A		B		C		D		APPROX. WEIGHT	
				Inches	MM	Inches	MM	Inches	MM	Inches	MM	LBS	KGS
3 1/4	PL80/NW50	24	20	3 1/4	83	7	178	1 3/16	30	4 1/4	108	20	9
4	PL100/NW80	115	100	4	102	7 1/2	191	1 3/16	30	6 1/8	156	21	10
5	PL125/NW100	115	100	5	127	9	229	1 3/16	30	6 1/8	156	28	13
6	PL150/NW125	115	100	6	152	10	254	1 7/16	37	6 3/8	162	36	16
7	PL175/NW150	115	100	6 7/8	175	11	279	1 7/16	37	6 3/8	162	41	19
9	PL225/NW200	115	100	8 13/16	224	13 1/2	343	1 7/16	37	6 5/8	168	59	27