

SANITARY FLOW INDICATOR

MAX Model SIC



Size Tube O.D. (Inches)	A (MM)	B (MM)	Viewing Window		Size Clamp (Inches)
			L (MM)	D (MM)	
1/2	76	9.4	32	16	3/4
3/4	87	15.7	30	20	3/4
1	91	22.1	33	33	1 1/2
1 1/2	103	34.8	48	48	1 1/2
2	120	47.5	55	50	2
2 1/2	150	60.2	55	50	2 1/2
3	173	72.0	90	60	3
4	200	97.4	110	70	4

STANDARD MATERIAL OF CONSTRUCTION

BODY MATERIAL: 316L SS or Hastelloy® optional

GASKET MATERIAL: EPDM or Viton®, FEP Jacketed

INSERT MATERIAL: Borosilicate

MAXIMUM TEMPERATURE & PRESSURE RATINGS

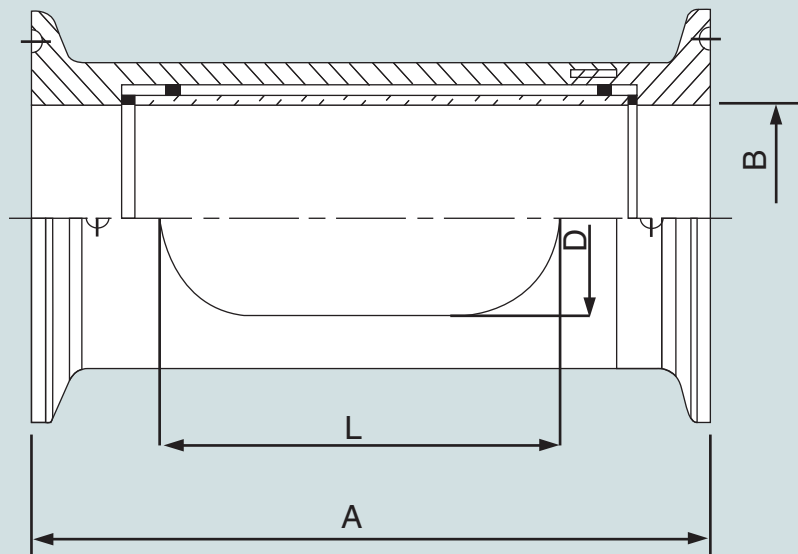
BOROSILICATE INSERT:
100 PSI @ 250°F and 150 PSI @ 70°F

FINISH, PRODUCT CONTACT SURFACE

Meets BPE-1997 SFV6 surface requirements for mechanically polished (MP), Ra 15 µ-in FDA, and 3-A specifications
Optional Finish: Electropolished (EP) Ra 0.8 µ-m

FEATURES

- SIP/CIP
- Sterilizable/Autoclavable
- Stress, Crack, and Shatter Resistant
- High Temperature and Pressure Resistant



Sanitary Flow Indicator

Represented
by:



Ph: 612-331-1776
www.duncanco.com

In the interests of development and improvement of the product, we reserve the right to change the specifications.