

Style GFV

Basket Strainer

Cast Iron (ASTM A 126, Class B)

125 lb. & 250 lb. Flanged



Cast Iron Basket Strainer

APPLICATIONS

Steam, water, oil or gas where protection from foreign matter in a pipeline is required.

CONSTRUCTION

The Keckley Style GFV strainers are constructed from rugged cast iron castings that are machined to exacting specifications. These bodies have drilled flanges that are in accordance with ASME B16.1.

FEATURES

The Keckley Style GFV strainers feature a basket with an angular cutaway design to allow straight through flow and extremely low pressure loss. All sizes have a bolted top cover flange for ease in basket removal. The gasket is a synthetic fiber and is compressed between the body and cover for maximum strength and durability. Keckley Style GFV strainers are furnished standard with a tapped and plugged NPT drain connection.

BASKETS

Standard baskets are 304 stainless steel and are spot welded for maximum strength. Different size perforations and meshes are available in stainless steel, monel, and brass to meet specific media requirements. If media is not indicated, screens for *water* will be supplied.

CLEANING

Cleaning of the Style GFV strainer is accomplished by removing the cover and pulling out the basket. **Warning:** See Maintenance Instructions on page S6 of the Strainer Information Section for additional precautions and detailed information on servicing the strainer.

WORKING PRESSURES - NON SHOCK

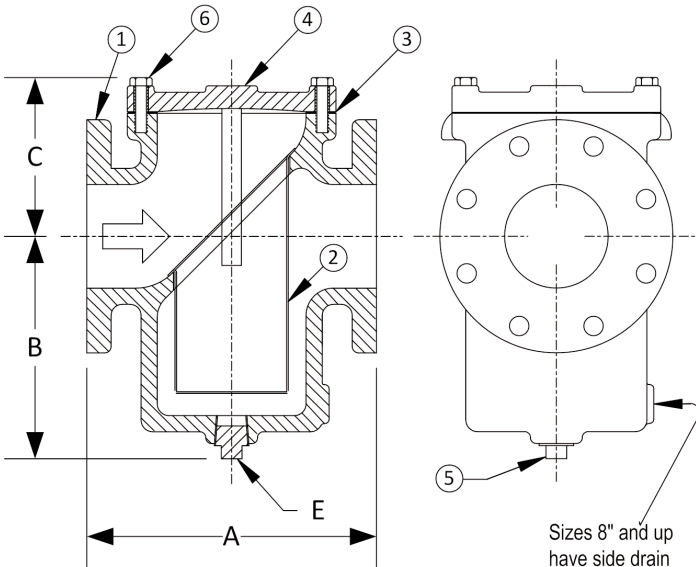
NOM. RATING	MEDIA	2" to 12"	50 mm to 300 mm
125# F.F. & D (STANDARD FLANGE)	STEAM	125 PSI @ 450°F	862 KPa @ 232°C
	W.O.G.	200 PSI @ 150°F	1379 KPa @ 66°C
	MEDIA	14" and UP	350 mm and UP
	STEAM	100 PSI @ 353°F	690 KPa @ 178°C
	W.O.G.	150 PSI @ 150°F	1035 KPa @ 66°C
	NOM. RATING	MEDIA	2" to 6"
250# R.F. & D (EX. HEAVY FLANGE)	STEAM	250 PSI @ 450°F	1724 KPa @ 232°C
	W.O.G.	500 PSI @ 150°F	3449 KPa @ 66°C

GOVERNMENT/MILITARY SPECIFICATIONS

Style GFV cast iron flanged basket strainers meet or exceed government specification WW-S-2739 (Supersedes MIL-S-16293).

Style GFV

Basket Strainer, 125 lb. & 250 lb. Flanged
Cast Iron (ASTM A 126, Class B)



Sizes 8" and up have side drain blow-off hole.

PARTS LIST		
ITEM	DESCRIPTION	MATERIAL
1	Body	Cast Iron (ASTM A 126, Class B)
2	Basket	Stainless Steel (304)
3	Gasket	Composition
4	Cover	Cast Iron (ASTM A 126, Class B)
5	Pipe Plug	Malleable Iron
6	Hex Head Cap Screws	Steel

STANDARD SCREENS SUPPLIED								
SIZE		SCREEN GAGE	SCREEN PERFORMANCE					
in	mm		FOR STEAM		FOR LIQUID		OPEN AREA	
			in	mm	AREA	in	mm	AREA
2 to 3	50 to 80	28	1/16	1.6	30%	1/8	3.2	43%
4 to 16	100 to 400	24 - 20	1/8	3.2	43%	1/8	3.2	43%

Standard screens supplied are for **liquid service**, unless otherwise specified.
Options: Other meshes, perforations, and screen materials are available.

SIZE		DIMENSIONS																
		A				B				C				E				
		125#		250#		125#		250#		125#		250#		125#		250#		
in	mm	in	mm	in	mm	in	mm	in	mm	in	mm	in	mm	in	mm	in	mm	
2	50	8	203	8-1/2	216	6	152	3-7/8	98	3-1/2	89	5-1/4	133	3/4	20	1/2	15	
2-1/2	65	8-1/4	210	9-1/4	235	7	178	5-3/4	146	3-3/4	95	5-1/4	133	3/4	20	3/4	20	
3	80	9-3/4	248	9-1/2	241	8-1/4	210	5-3/4	146	4-1/4	108	5-1/4	133	3/4	20	3/4	20	
4	100	11-1/2	292	11-13/16	300	9	229	8-9/16	217	4-3/4	121	6	152	1	25	1	25	
5	125	13-1/8	333	15-3/8	391	9-3/4	248	10-1/2	267	6	152	7-3/4	197	1	25	1	25	
6	150	14-3/4	375	15-1/2	394	10-1/2	267	10-1/2	267	6-1/4	159	7-3/4	197	1	25	1	25	
8	200	18-1/2	470	See Style D 250 lb.	12-3/4	324	See Style D 250 lb.	9	229	See Style D 250 lb.	1-1/2	40	See Style D 250 lb.	1-1/2	40	See Style D 250 lb.	1-1/2	40
10	250	20-1/8	511		14-3/4	375		10-3/4	273		2	50		2	50			
12	300	26-1/4	667		17-1/2	445		13-1/2	343		3	80		3	80			
14	350	30-1/4	768	Consult Factory	23-1/2	591	Consult Factory	14-1/4	362	Consult Factory	3	80	Consult Factory	3	80	Consult Factory	3	80
16	400	33-1/8	841		24-1/4	616		15	381		3	80						

Consult factory for sizes not shown.

Certified dimensional drawings are available upon request.

*This table reflects only the nearest metric equivalents.

WEIGHTS												
Size	2"	2-1/2"	3"	4"	5"	6"	8"	10"	12"	14"	16"	
125	lbs	23	33	44	67	88	120	200	353	523	814	1041
	kgs	10	15	20	30	40	54	100	160	237	369	472
250	lbs	29	53	65	107	187	224	See Style D 250 lb.				
	kgs	13	24	29	49	85	102					

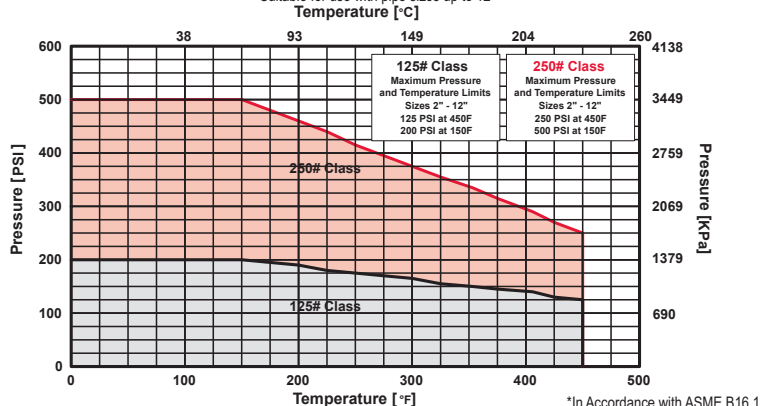
FLOW COEFFICIENTS							
Size	C _v	Size	C _v	Size	C _v	Size	C _v
2"	42.7	4"	276.7	8"	1486.3	14"	7984.8
2-1/2"	77.5	5"	442.7	10"	3051.6	16"	9565.9
3"	120.2	6"	743.1	12"	4980.6		

TOTAL SCREEN AREA							
Size	(in ²)	Size	(in ²)	Size	(in ²)	Size	(in ²)
2"	29.27	4"	108.44	8"	310.03	14"	1141.87
2-1/2"	45.11	5"	142.29	10"	457.06	16"	1428.51
3"	78.20	6"	176.75	12"	691.07		

*See DETERMINING RATIOS on page S5 of the Strainer Information Section for calculating NET FREE AREA of the screen to inside pipe area.

PRESSURE vs. TEMPERATURE CHART

125# & 250# Flanged Cast Iron (ASTM A 126, Class B)
Suitable for use with pipe sizes up to 12"



PRESSURE DROP CHART

Basket Strainers (Styles GFV, HLC, BGFV, SGFV, SGFV-K, SSGFV, and SSGFV-K)

This pressure drop chart is based on the flow of clean water through the Keckley strainer styles listed above with screen perforations ranging from 3/64" through 1/8".

TO USE CHARTS:

Find your desired rate of flow (GPM) on the left hand side of the chart. Follow its corresponding horizontal line to the point where it intersects the diagonal line indicating the strainer pipe size. From this point of intersection, follow the vertical line down to the bottom of the chart to determine the approximate pressure drop.

CORRECTION FACTORS:

For finer mesh baskets that are backed with a perforated sheet, multiply the pressure drops shown at right by the following:

40 mesh	x 1.2
60 mesh	x 1.4
80 mesh	x 1.6
100 mesh	x 1.7

