

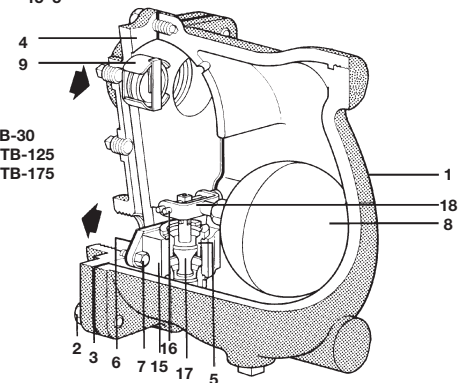
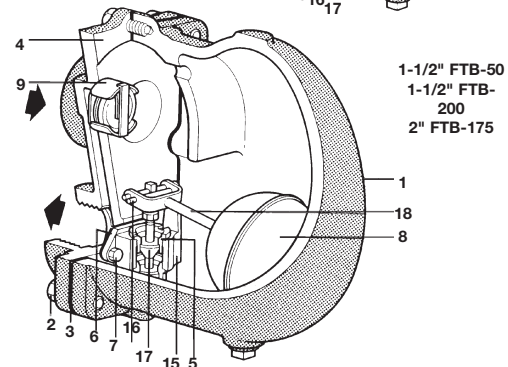
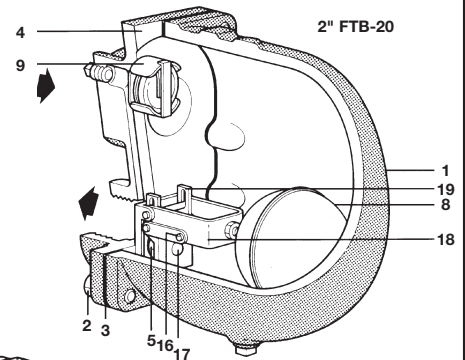
## Cast Iron Float & Thermostatic Steam Traps FTB Super Capacity Series

The trap contains a float valve mechanism which modulates to discharge condensate continuously at steam temperature. Non-condensable gases are released by a separate internal balanced pressure thermostatic air vent.

Model	FTB-20	FTB-30	FTB-50	FTB-125	FTB-175	FTB-200
<b>PMO</b>	20 psig	30 psig	50 psig	125 psig	175 psig	200 psig
<b>Sizes</b>	2"	2"	1-1/2"	2-1/2"	2", 2-1/2"	1-1/2"
<b>Connections</b>	NPT					
<b>Construction</b>	Cast Iron Body Stainless Steel Internals					
<b>Options</b>	Gauge glass, Vacuum Breaker					

### Typical Applications

All process heat exchange equipment, particularly when controlled by modulating temperature control valves; unit heaters and air heating coils.



### Construction Materials

No.	Part	Material
1	Body	Cast Iron ASTM A126 CL B
2	Cover Screws	Carbon Steel ASTM A449 Type 1
3	Cover Gasket	Graphite
4	Cover	Cast Iron ASTM A126 CL B
5	Valve Seat	Stainless Steel
6	Valve Seat Gasket	Stainless Steel (FTB-20)
7	Valve Assembly Gasket	Graphite
8	Main Valve	Stainless Steel
9	Assembly Screws	ASTM A193 Grade B8
10	Ball Float	Stainless Steel
11	Air Vent Assembly	Stainless Steel
12	Air Vent Head	Stainless Steel
13	Air Vent Seat	Stainless Steel
14	Main Valve Assy Housing	Stainless Steel
15	Pivot Pin	Stainless Steel
16	Valve Head	Stainless Steel (FTB-20, 175, 200)
17		Cast Stainless Steel (FTB-30, 125, 200)
18	Float Arm	Stainless Steel
19	Seat Bracket	Stainless Steel (FTB-20)
20	Head Bracket, Stop, Link	Stainless Steel (FTB-20)

For Capacities, see TI-2-317-US

### Limiting Operating Conditions

Max. Operating Pressure (PMO)	FTB-20: 20 psig	(1.4 barg)
	FTB-30: 30 psig	(2.1 barg)
	FTB-50: 50 psig	(3.4 barg)
	FTB-125:125 psig	(8.6 barg)
	FTB-175:175 psig	(12.1 barg)
	FTB-200: 200 psig	(14.0 barg)
Max. Operating Temperature	450°F @ 200 psig	

### Pressure Shell Design Conditions

<b>PMA</b> Max. allowable temp.	FTB-125	175 psig/up to 450°F	12.1 barg/up to 232°C
	FTB-175		
	FTB-200	200 psig/up to 450°F	14 barg/up to 232°C
	FTB-20		
	FTB-30	125 psig/up to 450°F	8.6 barg/up to 232°C
FTB-50			
FTB-50			
<b>TMA</b> Max. allowable temp.	FTB-125	450° F/0-175 psig	232°C/0-12.1 barg
	FTB-175		
	FTB-20	450° F/0-125 psig	232°C/0-8.6 barg
	FTB-30		
	FTB-50	450°F/0-200 psig	
FTB-200			

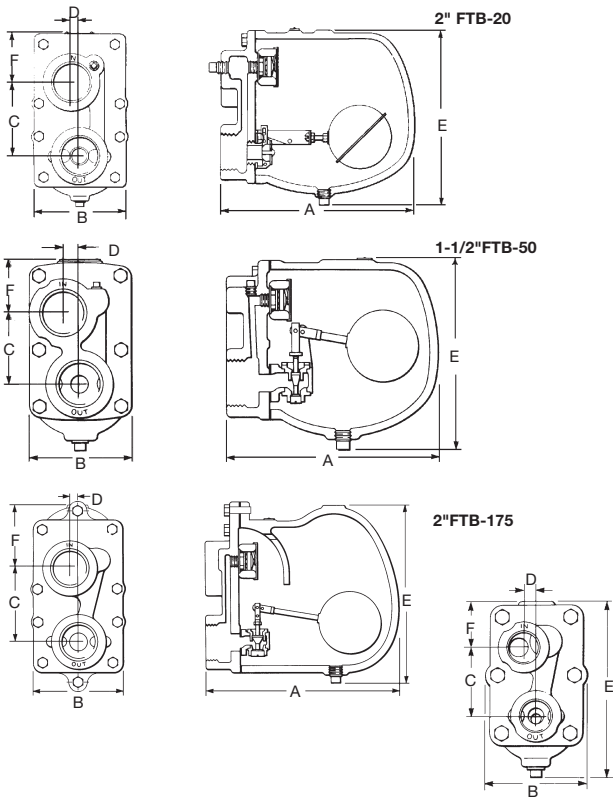
Local regulation may restrict the use of this product below the conditions quoted. Limiting conditions refer to standard connections only.

In the interests of development and improvement of the product, we reserve the right to change the specification.

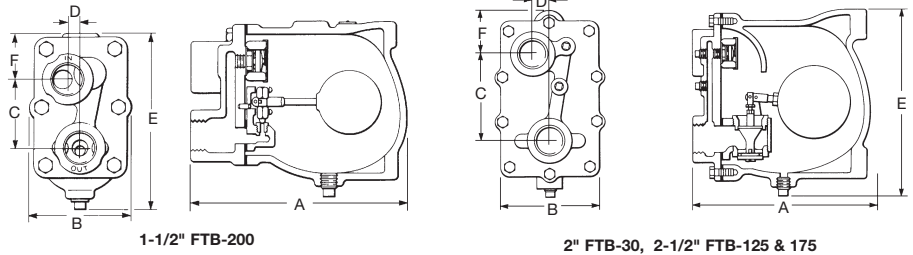
TI-2-315-US 2.14

# Cast Iron Float & Thermostatic Steam Traps

## FTB Super Capacity Series



Dimensions (nominal) in inches and millimeters							Weight
Type & Size	A	B	C	D	E	F	
FTB-20 2"	12.2 309	5.9 149	4.5 114	0.5 13	10.7 271	3 76	43 lb 19.5 kg
FTB-30 2"	15.25 387	9.25 235	7.25 184	1.4 35	15.6 397	3.75 95	89 lb 40.4 kg
FTB-50 1-1/2"	8.8 224	4.25 108	3 76	0.68 17	8.3 211	2.5 64	22 lb 10.0 kg
FTB-125 2-1/2"	15.6 390	9.25 235	7.25 184	1.4 35	15.6 397	3.75 95	90 lb 40.8 kg
FTB-175 2"	12.1 306	5.9 149	4.5 114	0.5 13	11.8 300	4 102	48 lb 21.8 kg
FTB-175 2-1/2"	15.4 390	9.25 235	7.25 184	1.4 35	15.6 397	3.75 95	90 lb 40.8 kg
FTB-200 1-1/2"	10.8 273	5.8 146	3 76	0.6 14	9.1 232	2.3 64	31 lb



Steam Traps  
Float & Thermostatic

### Installation

A pipeline strainer should be installed ahead of any steam trap. Full-port isolating valves should be placed to permit servicing. The trap should be installed below the drainage point of the equipment with a collecting leg before the trap, in a position with the float arm in a horizontal plane so that the float rises and falls vertically, and with the direction of flow as indicated on the cover. Refer to IM-2-300-US for complete instructions.

### Sample Specification

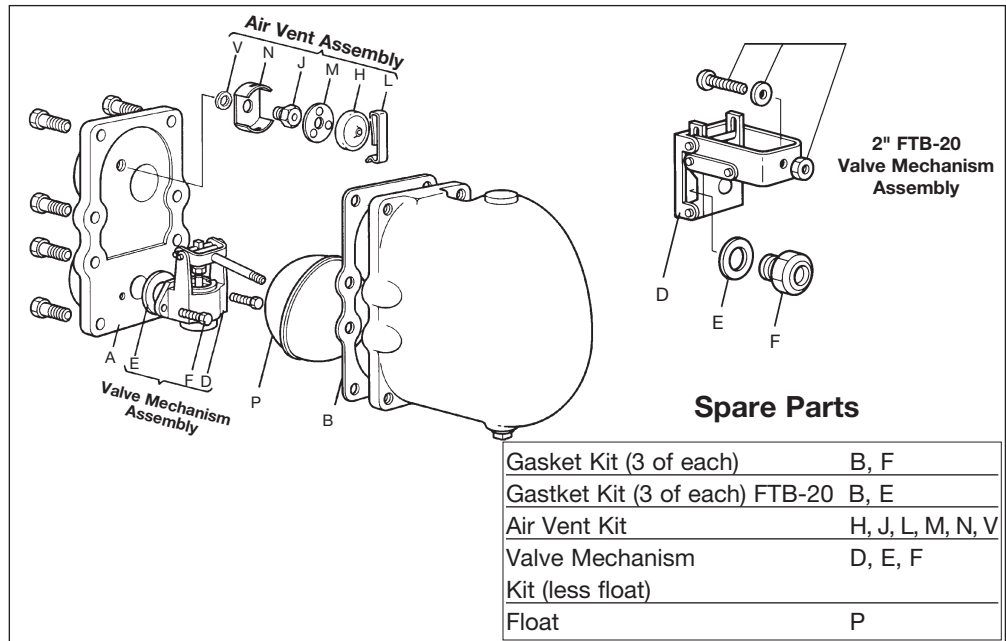
Steam traps shall be of the mechanical float type having cast iron bodies, NPT connections, and stainless steel valve heads and seats. Incorporated into the trap body shall be a stainless steel balanced pressure thermostatic air vent capable of withstanding 450°F and resisting waterhammer without sustaining damage. Internals of the trap shall be completely servicable without disturbing the piping.

### Maintenance

This product can be maintained without disturbing the piping connections. Complete isolation from both supply and return line is required before any servicing is performed.

The trap should be disassembled periodically for inspection and cleaning of the valve head and seat, and operating mechanism. Worn or damaged parts should be replaced using a complete valve mechanism assembly and/or air vent assembly.

Complete installation and maintenance instructions are given in IM-2-300-US, which accompanies the product.



Spare Parts	Part Number
Gasket Kit (3 of each)	B, F
Gasket Kit (3 of each) FTB-20	B, E
Air Vent Kit	H, J, L, M, N, V
Valve Mechanism Kit (less float)	D, E, F
Float	P

TI-2-315-US 2.14