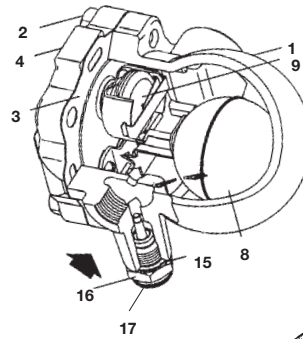


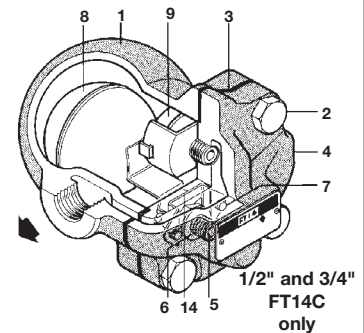
Cast/Ductile Iron Float & Thermostatic Steam Trap FT14, IFT14 and FT14C

The trap contains a float valve mechanism which modulates to discharge condensate continuously at steam temperature, while non-condensable gases are released by a separate internal balanced pressure thermostatic air vent.

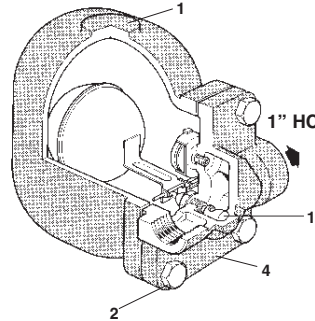
Model	IFT14-4.5 FT14-4.5	IFT14-10 FT14-10	IFT14-14 FT14-14
PMO	65 psig	145 psig	200 psig
Sizes	IFT 1/2", 3/4", only 1/2", 3/4", 1" HC, 1-1/2", 2"		
Connections	NPT		
Construction	1/2", 3/4", 1" HC: Ductile Iron Body 1-1/2", 2": Cast Iron Body All: Stainless Steel Internals		
Options FT14 only	1/2" - 2": Combination (C) Air Vent and SLR (steam lock release)		



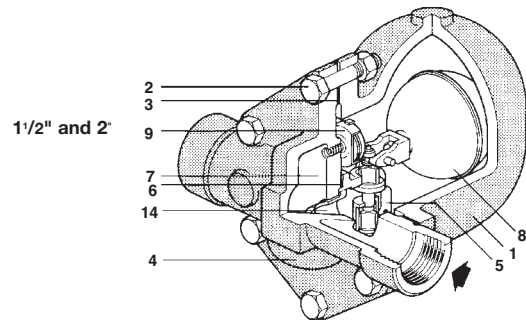
IFT14
1/2" & 3/4"
Sensor Connection standard with plug sensor added at installation



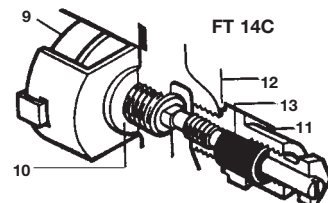
1/2" and 3/4"
FT14C
only



1" HC



1/2" and 2"



FT 14C

Combination
Air Vent
SLR unit

Construction Materials

No.	Part	Material
1	Body 1/2", 3/4", 1" 1-1/2", 2"	Ductile (SG) Iron Cast Iron
2	Cover Bolting	Steel
3	Cover Gasket	Nickel Reinforced Exfoliated Graphite
4	Cover 1/2", 3/4", 1", 1-1/4" 1-1/2", 2"	Ductile (SG) Iron Cast Iron
5	Valve Seat 1/2", 3/4" Valve Seat 1" Main Valve Assy 1-1/2", 2"	Stainless Steel Stainless Steel Stainless Steel
6	Valve Seat Gasket 1/2", 3/4" 1", 1-1/4" Main Valve Assy Gasket 1-1/2", 2"	Stainless Steel Reinforced Exfoliated Graphite
7	Main Valve Assy Screws 1/2", 3/4" Pivot Frame Assy Set Screws 1", 1-1/4" Main Valve Assy Bolts 1-1/2" Studs & Nuts 2"	Stainless Steel M4 x 6 mm Stainless Steel M5 x 20 mm Stainless Steel M6 x 20 mm M8 x 20 mm
8	Ball Float & Lever	Stainless Steel
9	Air Vent	Stainless Steel
10	Air Vent Seat Gasket	Stainless Steel
11	SLR	Stainless Steel
12	SLR Unit Gasket 1", 1-1/2", 2"	Mild Steel
13	SLR Seal	Stainless Steel
14	Erosion Deflector	Stainless Steel
15	Sensor Gasket	Stainless Steel
16	Sensor SSLI, WLSI optional	Stainless Steel
17	Blanking Plug standard (not shown)	Steel
18	Inlet Baffle 1-1/2", 2" only (baffle not shown)	Stainless Steel

Typical Applications

All process equipment, particularly when controlled by modulating temperature control valves; also for unit heaters, air heating coils, heat exchangers and steam main drip stations

Capacities: see TIS 2.306

Local regulation may restrict the use of this product below the conditions quoted. Limiting conditions refer to standard connections only. In the interests of development and improvement of the product, we reserve the right to change the specification.

TI-2-320-US 4.14

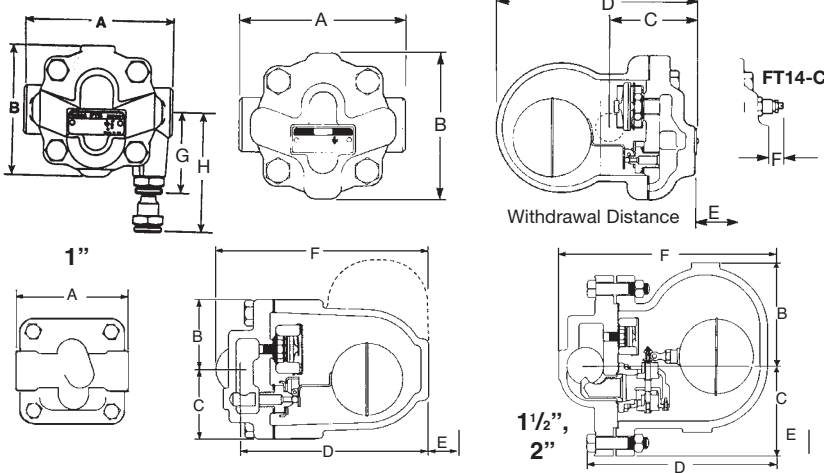
Cast/Ductile Iron Float & Thermostatic Steam Trap FT14, IFT14 and FT14C

Limiting Operating Conditions

Max operating pressure (PMO) IFT14-4.5 ,FT14-4.5,FT14C-4.5	65 psig (4.5 barg)
Max operating pressure (PMO) IFT14-10, FT14-10, FT14C-10	145 psig (10 barg)
Max operating pressure (PMO) IFT14-14 ,FT14-14, FT14C-14	200 psig (14 barg)

Max operating temperature (TMO) IFT14 1/2", 3/4" FT14C	482°F(250°C) @ 188 psig (13 barg) 392°F (200°C) @ 200 psig (14 barg)
Max operating temperature (TMO) 1" FT14HC	482°F(250°C) @ 200 psig (14 barg)
Max operating temperature (TMO) 1-1/2", 2" FT14	428°F(220°C) @ 195 psig (13.5 barg) 392°F (200°C) @ 200 psig (14 barg)
Minimum allowable temperature All IFT, FT14, FT14C	14°F (-10°C)

1/2", 3/4" FT14 IFT14



Sample Specification

Steam traps shall be of the mechanical ball float type having iron bodies, horizontal line connections, and all stainless steel internals. Incorporated into the trap body shall be a stainless steel balanced pressure thermostatic air vent capable of withstanding 45°F(25°C) of superheat and resisting waterhammer without sustaining damage. Internals of the trap shall be completely serviceable without disturbing the piping. (Optional: The trap shall include an adjustable steam lock release unit.) 14C version.

Installation

A pipeline strainer should be installed ahead of any steam trap. Full port isolating valves should be placed to permit servicing. The trap should be installed below the drainage point of the equipment with a collecting leg before the trap, in a position so that the float arm is in a horizontal plane and the float rises and falls vertically, with the flow direction as indicated on the body. (The 1/2" and 3/4" FT14 only trap is supplied with right-to-left flow. If left-to-right or vertical flows are required, cover can be rotated as desired.) Refer to IMI 2.300 or IM-FO1-30 for IFT for complete instructions.

Maintenance

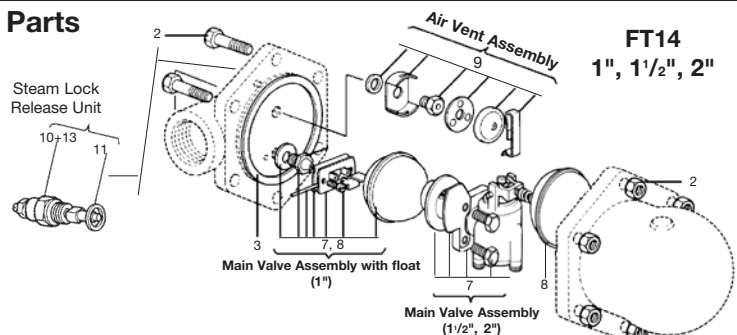
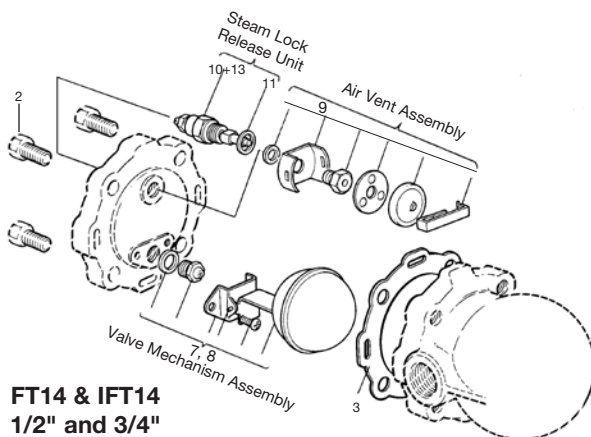
This product can be maintained without disturbing the piping connections. Complete isolation from both supply and return line is required before any servicing is performed. The trap should be disassembled periodically for inspection and cleaning of the valve head and seat, operating mechanism and air vent. Worn or damaged parts should be replaced using a complete valve mechanism assembly and/or air vent assembly. Complete installation and maintenance instructions are given in IMI 2.300, or IM-FO1-30 for IFT which accompanies the product.

Dimensions (nominal) in inches and millimeters

Size	A	B	C	D	E	F	G	H	Weight
1/2", 3/4"	4.8 121	4.2 107	2.6 67	5.8 147	4.1 105	1.2 30	2.6 66	3.9 98	6.4 lb 2.9 kg
1"	4.7 120	4.3 110	3.2 80	7.7 195	6.3 160	8.6 220	-	-	15.0 lb 6.8 kg
1-1/2"	10.6 270	5.1 130	4.3 108	9.4 238	7.9 200	10.6 270	-	-	38.5 lb 17.5 kg
2"	11.9 300	5.4 138	4.9 125	9.8 250	7.8 200	11.3 288	-	-	52 lb 24 kg

Spare Parts

Main Valve Assembly with float	7, 8
Air Vent Assembly	9
Steam Lock Release Unit	10+13, 11
Cover Gasket (Pkt of 3)	3



Main Valve Assy w/ Float (1")	7, 8
Main Valve Assy w/ Erosion Deflector (1-1/2", 2")	7
Air Vent Assy (K not used on 1", 1-1/2", 2")	9
Steam Lock Release Unit (state SLR or C unit)	10+13, 11
Three Complete sets of Gaskets	3, 6, 10
Set of Cover Bolts (set of 4) (1")	2
Set of Cover Bolts & Nuts (set of 6) (1-1/2", 2")	2
Ball Float (1-1/2", 2") Float Only	8

The erosion deflector on the 1" is pressed into the body during manufacture and not available as a spare.

TI-2-320-US 4.14