

# PRATT®

a **MUELLER** brand

Distributed by:

**DUNCAN CO**

[www.duncanco.com](http://www.duncanco.com)

612-331-1776

## LVC FIGURE F193 FABRICATED BONNETED Knife Gate Valve

### FEATURES

- Fabricated heavy duty bonneted knife gate valves are ideally suited to reduce fugitive emissions and packing leakage.
- All stainless steel construction available.
- Wiper between body and bonnet prevents solids from entering bonnet.
- Fabricated bonnet design pressure same as valve pressure rating.
- Standard TFE lubricated synthetic packing (TLSP) rated for 500° F and a pH range of 3-11.
- Heavy duty body design resists deflection from line loads and internal pressure.
- Gate design withstands full rated pressure.
- Body cavity, seat configuration, and beveled gate design provide shut off capability in thick media such as pulp stock and slurries, or solid media like pellets and powders.
- Heavy fabricated steel yoke prevents bending or twisting under extreme loads.
- Easy conversion from gear operator to pneumatic or hydraulic cylinder, or electric motor operator using existing cast yoke.
- Hard faced seat available to prevent galling in high cycle and/or high end pressure or abrasive applications.
- V-Port or O-Ring resilient seats available to suit specific applications.
- Precision machined stainless steel gate provides superior seating capability.
- Stainless steel stem provides corrosion resistance.
- Flange drilling meets ANSI B16.47 CL150 series A standards with all tapped holes and serrated gasket faces.
- Full port ID.
- Designed in accordance with AWWA C520 Knife Gate Valves, 2" – 96".



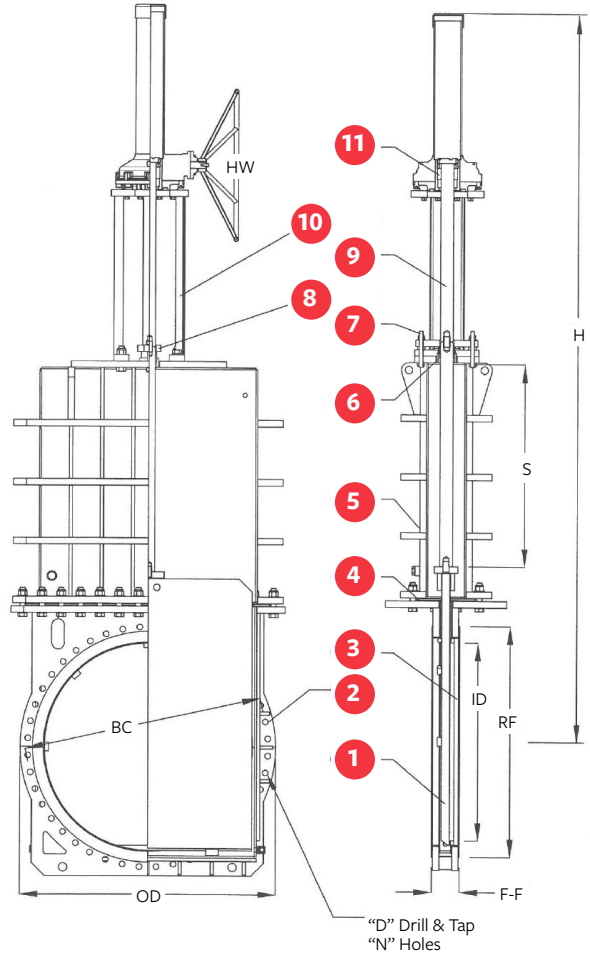
**MUELLER**

## MATERIALS OF CONSTRUCTION

| MATERIALS CODE        | W44 / W66 | A44 / A66 | A77    |
|-----------------------|-----------|-----------|--------|
| Body Liner, Seat & RF | 304 / 316 | 304 / 316 | 317    |
| Flanges, Ext. Trim    | Steel     | 304 / 316 | 317    |
| Gate                  | 304 / 316 | 304 / 316 | 317    |
| Packing Gland         | Steel     | 304 / 316 | 317    |
| Packing Bolting       | 304       | 304       | 304    |
| Yoke                  | Steel     | 304 / 316 | 317    |
| Stem & Clevis         | 304       | 304       | 304    |
| Stem Nut              | Bronze    | Bronze    | Bronze |
| Packing               | TLSP      | TLSP      | TLSP   |

### MODEL F193

|    |          |
|----|----------|
| 1  | Gate     |
| 2  | Body     |
| 3  | Seat     |
| 4  | Wiper    |
| 5  | Bonnet   |
| 6  | Packing  |
| 7  | Bolts    |
| 8  | Gland    |
| 9  | Stem     |
| 10 | Yoke     |
| 11 | Stem Nut |



50 psi standard pressure, other pressures available upon request.

## DIMENSIONS (INCHES) AND WEIGHTS, SQUARE BOTTOM

|                       | SIZE  | 30           | 36           | 42           | 48           | 54           | 60           |
|-----------------------|-------|--------------|--------------|--------------|--------------|--------------|--------------|
| Face-to-Face          | F-F   | 4-5/8        | 5-1/4        | 5-5/8        | 6            | 6-1/2        | 7-3/4        |
| Flange OD             | OD    | 38-3/4       | 46           | 53           | 59-1/2       | 66-1/4       | 73           |
| Bolt Circle           | BC    | 36           | 42-3/4       | 49-1/2       | 56           | 62-3/4       | 69-1/4       |
| Flange Raised Face    | RF    | 34           | 40-1/4       | 47           | 53-3/4       | 59-3/4       | 66           |
| Inside Diameter       | ID    | 30           | 35-7/8       | 42           | 47-1/4       | 54           | 60           |
| No. of Bolt Holes     | N     | 28           | 32           | 36           | 44           | 44           | 52           |
| Hole D&T Size         | D     | 1-1/4-7 UNC  | 1-1/2-6 UNC  | 1-1/2-6 UNC  | 1-1/2-6 UNC  | 1-3/4-5 UNC  | 1-3/4-5 UNC  |
| C/L to Top-Stem Cover | H-OPN | 120          | 145          | 176          | 205          | 230          | 262          |
| Handwheel Dia.        | H/W   | BG4 W 20" HW | BG4 W 20" HW | BG4 W 20" HW | BG4 W 20" HW | BG6 W 20" HW | BG6 W 20" HW |
| Weight - lbs          | WT    | 3650         | 4150         | 6450         | 9650         | 14860        | 20600        |
| Stroke                | S     | 28-13/16     | 35           | 40-1/2       | 47-1/4       | 53           | 59           |

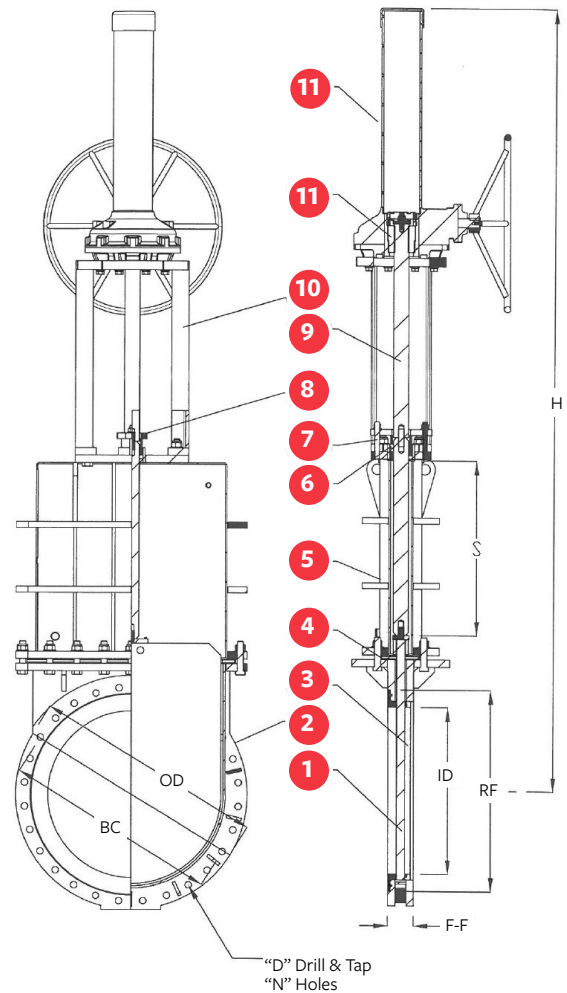
**MUELLER**

## MATERIALS OF CONSTRUCTION

| MATERIALS CODE        | W44 / W66 | A44 / A66 | A77    |
|-----------------------|-----------|-----------|--------|
| Body Liner, Seat & RF | 304 / 316 | 304 / 316 | 317    |
| Flanges, Ext. Trim    | Steel     | 304 / 316 | 317    |
| Gate                  | 304 / 316 | 304 / 316 | 317    |
| Packing Gland         | Steel     | 304 / 316 | 317    |
| Packing Bolting       | 304       | 304       | 304    |
| Yoke                  | Steel     | 304 / 316 | 317    |
| Stem & Clevis         | 304       | 304       | 304    |
| Stem Nut              | Bronze    | Bronze    | Bronze |
| Packing               | TLSP      | TLSP      | TLSP   |

### MODEL F193

|    |          |
|----|----------|
| 1  | Gate     |
| 2  | Body     |
| 3  | Seat     |
| 4  | Wiper    |
| 5  | Bonnet   |
| 6  | Packing  |
| 7  | Bolts    |
| 8  | Gland    |
| 9  | Stem     |
| 10 | Yoke     |
| 11 | Stem Nut |



50 psi standard pressure, other pressures available upon request.

## DIMENSIONS (INCHES) AND WEIGHTS, ROUND BOTTOM

|                       | SIZE  | 30           | 36           | 42           |
|-----------------------|-------|--------------|--------------|--------------|
| Face-to-Face          | F-F   | 4-5/8        | 5-1/4        | 5-5/8        |
| Flange OD             | OD    | 38-3/4       | 46           | 53           |
| Bolt Circle           | BC    | 36           | 42-3/4       | 49-1/2       |
| Flange Raised Face    | RF    | 34           | 40-1/4       | 47           |
| Inside Diameter       | ID    | 30           | 35-7/8       | 42           |
| No. of Bolt Holes     | N     | 28           | 32           | 36           |
| Hole D&T Size         | D     | 1-1/4-7 UNC  | 1-1/2-6 UNC  | 1-1/2-6 UNC  |
| C/L to Top-Stem Cover | H-OPN | 135          | 160          | 185          |
| Handwheel Dia.        | H/W   | BG4 W 20" HW | BG4 W 20" HW | BG4 W 20" HW |
| Weight - lbs          | WT    | 3600         | 4050         | 6300         |
| Stroke                | S     | 28-13/16     | 35           | 40-1/2       |

675 Mitchell Avenue, Woodland, WA 98674, [moreinfo@prattvalve.com](mailto:moreinfo@prattvalve.com), P: 800.423.1323

Mueller refers to one or more of Mueller Water Products, Inc., a Delaware corporation ("MWP"), and its subsidiaries. MWP and each of its subsidiaries are legally separate and independent entities when providing products and services. MWP does not provide products or services to third parties. MWP and each of its subsidiaries are liable only for their own acts and omissions and not those of each other. MWP brands include Mueller®, Echologics®, Hydro Gate®, Hydro-Guard®, Jones®, Mi.Net®, Milliken®, Pratt®, Singer®, and U.S. Pipe Valve & Hydrant. Please see [www.muellerwp.com/about](http://www.muellerwp.com/about) to learn more.

Copyright © 2018 Henry Pratt Company, LLC. All Rights Reserved. The trademarks, logos and service marks displayed in this document are the property of Mueller Water Products, Inc., its affiliates or other third parties. Products above marked with a section symbol (§) are subject to patents or patent applications. For details, visit [www.mwppat.com](http://www.mwppat.com). These products are intended for use in potable water applications. Please contact your Mueller Sales or Customer Service Representative concerning any other application(s).