

PRATT®

a MUELLER brand

Distributed by:

DUNCAN CO

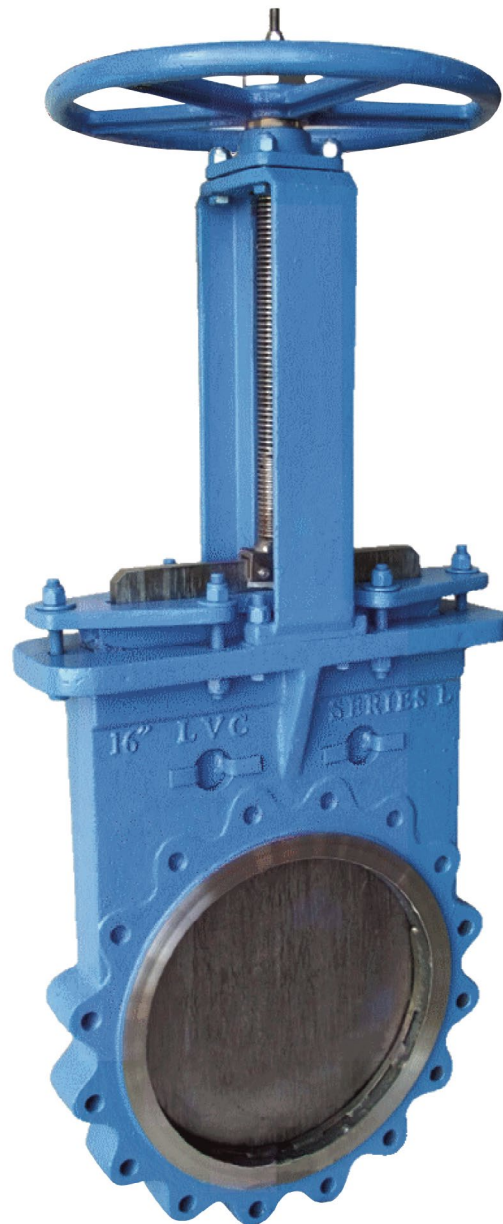
www.duncanco.com

612-331-1776

LVC FIGURE L77 DUCTILE IRON BODY STAINLESS STEEL LINED RESILIENT SEATED Knife Gate Valve

FEATURES

- Heavy duty cast ductile iron body, packing gland, and yoke.
- Heavy duty solid lug body design resists deflection from line loads and internal pressure.
- Fabricated stainless steel liner. Available in any weldable alloy.
- Stainless steel gate.
- Gate design withstands full 150 PSI rated pressure as required by MSS SP-81.
- Resilient seat provides bi-directional, drip tight shut off.
- Bi-Directional Buna resilient seat standard. Also available in EPDM, Viton, Neoprene and other materials. See reverse side for temperature limits.
- Quick and easy resilient seat replacement.
- Heavy duty cast ductile iron yoke will not bend or twist under extreme loads.
- Easy conversion from handwheel operator to hydraulic or pneumatic cylinder, bevel gear, chainwheel, electric motor, or fail safe spring cylinder operator using existing cast yoke.
- Enclosed bronze stem bushing provides reduced operating torque and protection of the stem bushing in harsh environments.
- Precision machined stainless steel gate for superior seating capability.
- Stainless steel stem resists corrosion.
- Standard TFE lubricated synthetic packing (TLSP).
- Available in sizes 14", 16", 18", 20", and 24".
- MSS SP-81 Stainless Steel, Bonnetless, Flanged Knife Gate Valves.
- AWWA C520 Knife Gate Valves, 2" — 96".
- CRN Registered.



MUELLER

MATERIALS OF CONSTRUCTION

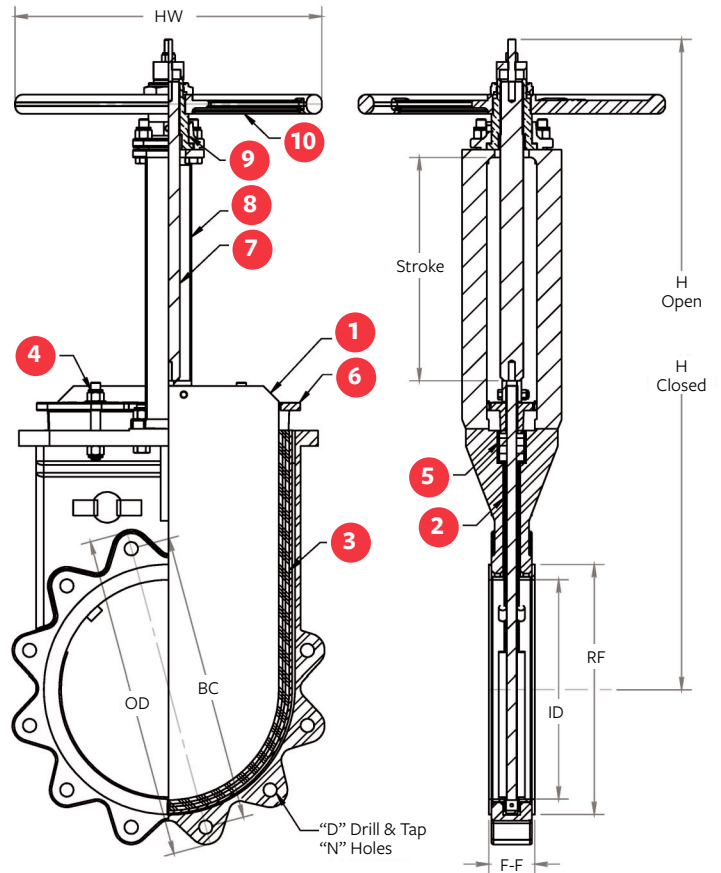
MODEL L77

1	Gate	SS
2	Liner	SS
3	Seat	Buna-N**
4	P/G Bolting	SS
5	Packing	TLSP*
6	Gland	DI
7	Stem	SS
8	Yoke	DI
9	Stem Nut	Bronze
10	Handwheel	DI

*TLSP = TFE Lubricated Synthetic Packing.

Normally supplied with handwheel for manual operation, but can be modified for chainwheel, bevel gear, fail safe spring cylinder, electric motor, hydraulic or pneumatic cylinder operator.

**MATERIAL	TEMP. LIMITS °F (°C)
Buna	-35 (-37) to 250 (121)
EPDM(P)	-65 (-54) to 300 (149)
Neoprene	-40 (-40) to 225 (107)
Viton	-20 (-29) to 400 (204)



DIMENSIONS (INCHES) AND WEIGHTS

	SIZE	14	16	18	20	24
Face-to-Face	F-F	3	3-1/2	3-1/2	4-1/2	4-1/2
Flange OD	OD	21	23-1/2	25	27-1/2	32
Bolt Circle	BC	18-3/4	21-1/4	22-3/4	25	29-1/2
Flange Raised Face	RF	16-1/2	18-3/4	21	23	27-1/4
Inside Diameter	ID	14-1/4	15-15/16	17-3/4	19-3/4	23-3/4
No. of Bolt Holes	N	12	16	16	20	20
Hole D&T Size	D	1"-8	1"-8	1-1/8"-7	1-1/8"-7	1-1/4"-7
C/L to Top-Closed	H-CLS	42-3/16	62-1/4	50-3/16	56-9/16	64-3/16
C/L to Top-Open	H-OPN	59-9/16	78-3/8	68-13/16	76-5/16	84-7/16
Handwheel Dia.	H/W	20	20	20	24	24
Weight - lbs	WT	360	495	565	790	1015
Stroke	S	14-3/8	16-1/8	18-5/8	19-3/4	20-1/4

675 Mitchell Avenue, Woodland, WA 98674, moreinfo@prattvalve.com, P: 800.423.1323

Mueller refers to one or more of Mueller Water Products, Inc., a Delaware corporation ("MWP"), and its subsidiaries. MWP and each of subsidiaries are legally separate and independent entities when providing products and services. MWP does not provide products or services to third parties. MWP and each of its subsidiaries are liable only for their own acts and omissions and not those of each other. MWP brands include Mueller®, Echologics®, Hydro Gate®, Hydro-Guard®, Jones®, Mi.Net®, Milliken®, Pratt®, Singer®, and U.S. Pipe Valve & Hydrant. Please see www.muellerwp.com/about to learn more.

Copyright © 2018 Henry Pratt Company, LLC. All Rights Reserved. The trademarks, logos and service marks displayed in this document are the property of Mueller Water Products, Inc., its affiliates or other third parties. Products above marked with a section symbol (§) are subject to patents or patent applications. For details, visit www.mwppat.com. These products are intended for use in potable water applications. Please contact your Mueller Sales or Customer Service Representative concerning any other application(s).