

PRATT®

a MUELLER brand

Distributed by:

DUNCAN CO

www.duncanco.com

612-331-1776

LVC FIGURE 82 FABRICATED Slide Gate Valve

FEATURES

- Fabricated stainless steel lined body ideally suited for wet or dry dense and abrasive media.
- Stainless steel stem, gate, seat, body liner, and raised face.
- Body cavity, seat configuration, and beveled gate designed to provide shut-off capability in thick media such as pulp stock and slurries, or with solid media like pellets and powders.
- Smooth flow non-clogging full port design.
- Heavy duty body design resists deflection from line loads and internal pressure.
- Gate design withstands full 150 PSI pressure as required by MSS SP-81.
- Valve seat face is protected by gate in both open and closed positions.
- Enclosed bronze stem bushing reduces operating torque and protects the stem bushing in harsh environments.
- Full range of operators available including handwheel, chainwheel, bevel gear, hydraulic or pneumatic cylinder, fail safe spring cylinder, or electric motor.
- Can be manufactured in special materials such as Alloy 20, Hastelloy, Titanium, and Monel for severe services. Coatings can be added to protect blade.
- Wiper available in packing to provide gate support and stabilize packing seal.
- Flanges meet ANSI B16.5-150 standards with all tapped holes and serrated gasket faces.
- Hard faced seat available to prevent galling in high cycle and/or high end pressure or abrasive applications.
- V-Port or O-Ring resilient seats available to suit specific applications.
- Standard TFE lubricated synthetic packing (TLSP) rated to 500°F and pH range of 3-11.
- Available in standard sizes 3 - 36".
- Custom designed sizes, pressures, and configurations available.

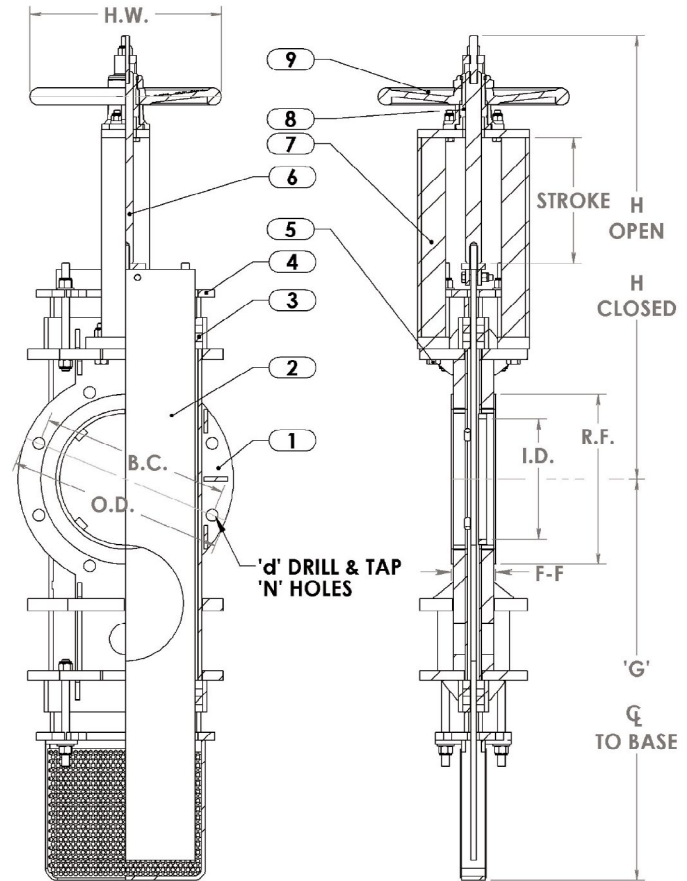


MUELLER

MATERIALS OF CONSTRUCTION

	MATERIALS CODE	W44	A44
1	Body, Seat, RF, Flanges, Ext. Trim	304	304
2	Gate	304	304
3	Packing	TFE / SYN	TFE / SYN
4	Packing Gland	Steel	304
5	Bolting	Plated	304
6	Stem & Clevis	304	304
7	Yoke	Steel	304
8	Stem Bushing	Bronze	Bronze
9	Handwheel	CI	CI

	MATERIALS CODE	W66	A66	A77
1	Body, Seat, RF, Flanges, Ext. Trim	316	316	317
2	Gate	316	316	317
3	Packing	TFE / SYN	TFE / SYN	TFE
4	Packing Gland	Steel	316	317
5	Bolting	Plated	304	304
6	Stem & Clevis	304	304	304
7	Yoke	Steel	304	304
8	Stem Bushing	Bronze	Bronze	Bronze
9	Handwheel	CI	CI	CI



DIMENSIONS (INCHES) AND WEIGHTS

	SIZE	3	4	6	8	10	12	14	16	18	20	24
Face-to-Face	F-F	2	2	2-1/4	2-3/4	2-3/4	3	3	3-1/2	3-1/2	4-1/2	4-1/2
Flange OD	OD	7-1/2	9	11	13-1/2	16	19	21	23-1/2	25	27-1/2	32
Bolt Circle	BC	6	7-1/2	9-1/2	11-3/4	14-1/4	17	18-3/4	21-1/4	22-3/4	25	29-1/2
Flanged Raised Face	RF	5	6-3/16	8-1/2	10-5/8	12-3/4	15	16-1/4	18-1/2	21	23	27-1/4
No. of Bolt Holes	N	4	8	8	8	12	12	12	16	16	20	20
Hole D&T Size	D	5/8"-11	5/8"-11	3/4"-10	3/4"-10	7/8"-9	7/8"-9	1"-8	1"-8	1-1/8"-7	1-1/8"-7	1-1/4"-7
Gate Guard	G	11-11/16	13-1/4	19-1/8	25-9/16	18-7/8	34-3/4	40-1/4	43-5/8	51-3/8	54	64-7/8
Stroke	Stroke	2-13/16	3-7/8	5-3/4	7-5/8	9-3/4	11-3/4	13-3/4	15-3/8	17-3/4	19	23
C/L to Top-Closed	H-CLS	17-5/8	21	23-3/8	27-3/8	30-1/4	25-3/8	39-5/8	43-1/2	44-3/8	47-7/8	58-5/8
C/L to Top-Open	H-OPN	20-1/2	25	29	35	39-7/8	35-1/8	53-5/8	58-7/8	62-1/8	66-7/8	81-5/8
Handwheel Dia.	H/W	8	8	12	12	16	16	20	20	20	20	24
Weight - lbs	WT	75	92	122	170	245	340	445	565	640	915	1145
Seat ID	ID	2-1/2	3-1/2	5-1/4	7-1/4	9	11-1/4	12-13/16	14-3/4	16-3/4	18	22-1/4

675 Mitchell Avenue, Woodland, WA 98674, moreinfo@prattvalve.com, **P: 1.800.423.1323**

Mueller refers to one or more of Mueller Water Products, Inc., a Delaware corporation ("MWP"), and its subsidiaries. MWP and each of its subsidiaries are legally separate and independent entities when providing products and services. MWP does not provide products or services to third parties. MWP and each of its subsidiaries are liable only for their own acts and omissions and not those of each other. MWP brands include Mueller®, Echologics®, Hydro Gate®, Hydro-Guard®, Jones®, MiNet®, Milliken®, Pratt®, Singer®, and U.S. Pipe Valve & Hydrant. Please see www.muellerwp.com/about to learn more.

Copyright © 2018 Henry Pratt Company, LLC. All Rights Reserved. The trademarks, logos and service marks displayed in this document are the property of Mueller Water Products, Inc., its affiliates or other third parties. Products above marked with a section symbol (§) are subject to patents or patent applications. For details, visit www.mvppat.com. These products are intended for use in potable water applications. Please contact your Mueller Sales or Customer Service Representative concerning any other application(s).