

PRATT®

a **MUELLER** brand

LVC FIGURE 63 HIGH PERFORMANCE POLYMER LINED Knife Gate Valve

Distributed by:
DUNCAN CO
www.duncanco.com
612-331-1776

FEATURES

- Heavy duty fabricated carbon or stainless steel body, yoke, and packing gland.
- UHMW, PTFE, or Polypropylene liner and seat provide bi-directional tight shut off. Contact Factory for service limits.
- Three-piece field replaceable liner/seat.
- Standard pressure ratings of 150 or 300 PSI CWP. Higher pressure ratings and custom designs available.
- ANSI B16.5 Class 150 lb or 300 lb flange bolting.
- MSS SP-81 face-to-face and flange dimensions for 150 PSI only.
- Stainless steel gate and stem for corrosion resistance and durability. Special Alloys, coatings and surface hardening available.
- Superior packing arrangement provides improved sealing performance in high cycle applications.
- Full port inside diameter in all sizes. Custom port sizes and designs available.
- Minimum 4 bolt packing gland design to assure proper gland alignment in all sizes.
- Standard TFE lubricated synthetic packing (TLSP).
- Available with manual handwheel, chainwheel, bevel gear, pneumatic or hydraulic cylinder, fail safe spring cylinder, or electric motor actuator.
- Enclosed bronze stem bushing provides reduced operating torque and protects the stem bushing in harsh environments.
- Recommended for applications requiring superior corrosion and/or erosion resistance, heavy slurry, and high cycle applications.
- MSS SP-81 Stainless Steel, Bonnetless, Flanged Knife Gate Valves.
- CRN Registered.



MUELLER

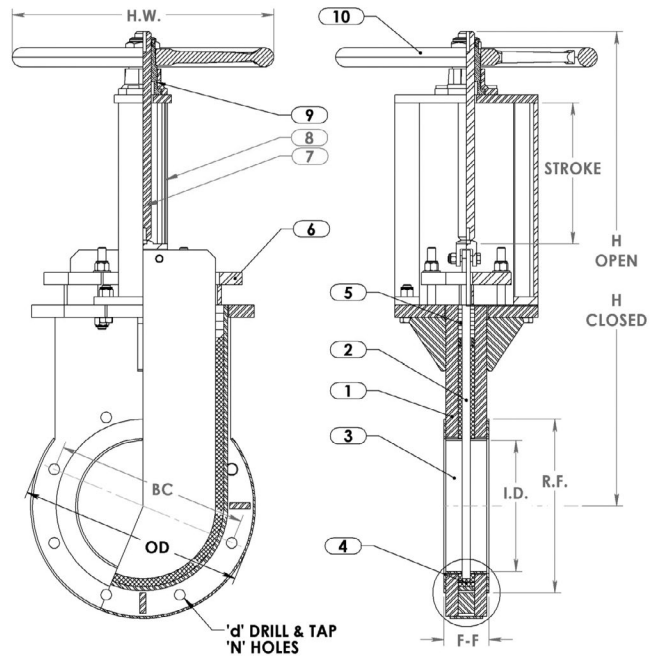
MATERIALS OF CONSTRUCTION

MODEL 63

1	Body	CS / 304 SS / 316 SS
2	Gate	304 SS / 316 SS / Alloy
3	Ret. Rings	304 SS / 316 SS / Alloy
4	Liner/Seat	UHMWPE / PTFE / PP
5	Packing	TLSP* / PTFE
6	Packing Gland	CS / 304 SS / 316 SS
7	Stem	304 SS
8	Yoke	CS / 304 SS
9	Stem Nut	Bronze
10	Handwheel	DI

**TLSP = TFE Lubricated Synthetic Packing.

Normally supplied with handwheel for manual operation, but can be modified for chain wheel, bevel gear, fail safe spring cylinder, electric motor, hydraulic or pneumatic cylinder operator.



150 PSI RATED VALVE - DIMENSIONS (INCHES) AND WEIGHTS

	SIZE	2	3	4	6	8	10	12	14	16	18	20	24
Face-to-Face	F-F	1-7/8	2	2	2-1/4	2-3/4	2-3/4	3	3	3-1/2	3-1/2	4-1/2	4-1/2
Flange OD	OD	6	7-1/2	9	11	13-1/2	16	19	21	23-1/2	25	27-1/2	32
Bolt Circle	BC	4-3/4	6	7-1/2	9-1/2	11-3/4	14-1/4	17	18-3/4	21-1/4	22-3/4	25	29-1/2
Flanged Raised Face	RF	3-5/8	5	6-3/16	8-1/2	10-5/8	12-3/4	15	16-1/4	18-1/2	21	23	27-1/4
Inside Diameter	ID	2-1/16	3-1/16	4	6	8	10	12	14	16	18	20	24
No. of Bolt Holes	N	4	4	8	8	8	12	12	12	16	16	20	20
Hole D&T Size	D	5/8"-11	5/8"-11	5/8"-11	3/4"-10	3/4"-10	7/8"-9	7/8"-9	1"-8	1"-8	1-1/8"-7	1-1/8"-7	1-1/4"-7
C/L to Top-Closed	H-CLS	15-1/8	17-1/2	19-1/2	24-3/8	29-1/4	33	38-1/4	46	47-1/2	51-1/2	58	67
C/L to Top-Open	H-OPN	17-3/4	21	24	31	38	43-3/4	51-1/2	61-1/4	65	71	78-1/2	93
Handwheel Dia.	H/W	8	8	12	12	12	12	16	20	20	20	20	20
Weight - lbs	WT	35	48	60	89	150	210	309	420	554	680	950	1200

300 PSI RATED VALVE - DIMENSIONS (INCHES) AND WEIGHTS

	SIZE	2	3	4	6	8	10	12	14	16	18	20	24
Face-to-Face	F-F	2-1/4	2-1/4	2-1/4	2-1/2	3	3	3-1/4	3-1/2	3-3/4	4	5-1/4	5-1/2
Flange OD	OD	6-1/2	8-1/4	10	12-1/2	15	17-1/2	20-1/2	23	25-1/2	28	30-1/2	36
Bolt Circle	BC	5	6-5/8	7-7/8	10-5/8	13	15-1/4	17-3/4	20-1/4	22-1/2	24-3/4	27	32
Flanged Raised Face	RF	3-5/8	5	6-3/16	8-1/2	10-5/8	12-3/4	15	16-1/4	18-1/2	21	23	27-1/4
Inside Diameter	ID	2	3	4	6	8	10	12	14	16	18	20	24
No. of Bolt Holes	N	8	8	8	12	12	16	16	20	20	24	24	24
Hole D&T Size	D	5/8"-11	3/4"-10	3/4"-10	3/4"-10	7/8"-9	1"-8	1-1/8"-7	1-1/8"-7	1-1/4"-7	1-1/4"-7	1-1/4"-7	1-1/2"-6
C/L to Top-Closed	H-CLS	15-1/8	17-1/2	19-1/2	24-3/8	29-1/4	33-3/4	39	46	56-3/4	65-1/4	73	81
C/L to Top-Open	H-OPN	17-3/4	21	24	31	38	44-1/2	52-1/4	61-1/4	63-1/2	73-1/2	83-1/2	95-1/2
Handwheel Dia.	H/W	8	8	12	12	16	20	20	20	-	-	-	-
Weight - lbs	WT	44	60	82	111	188	263	386	525	693	850	1188	1500

675 Mitchell Avenue, Woodland, WA 98674, moreinfo@prattvalve.com, P: 800.423.1323

Mueller refers to one or more of Mueller Water Products, Inc., a Delaware corporation ("MWP"), and its subsidiaries. MWP and each of its subsidiaries are legally separate and independent entities when providing products and services. MWP does not provide products or services to third parties. MWP and each of its subsidiaries are liable only for their own acts and omissions and not those of each other. MWP brands include Mueller®, Echologics®, Hydro Gate®, Hydro-Guard®, Jones®, Mi.Net®, Milliken®, Pratt®, Singer®, and U.S. Pipe Valve & Hydrant. Please see www.muellerwpp.com/about to learn more.

Copyright © 2018 Henry Pratt Company, LLC. All Rights Reserved. The trademarks, logos and service marks displayed in this document are the property of Mueller Water Products, Inc., its affiliates or other third parties. Products above marked with a section symbol (§) are subject to patents or patent applications. For details, visit www.mwppat.com. These products are intended for use in potable water applications. Please contact your Mueller Sales or Customer Service Representative concerning any other application(s).

