

PRATT®

a MUELLER brand

Distributed by:

DUNCAN CO

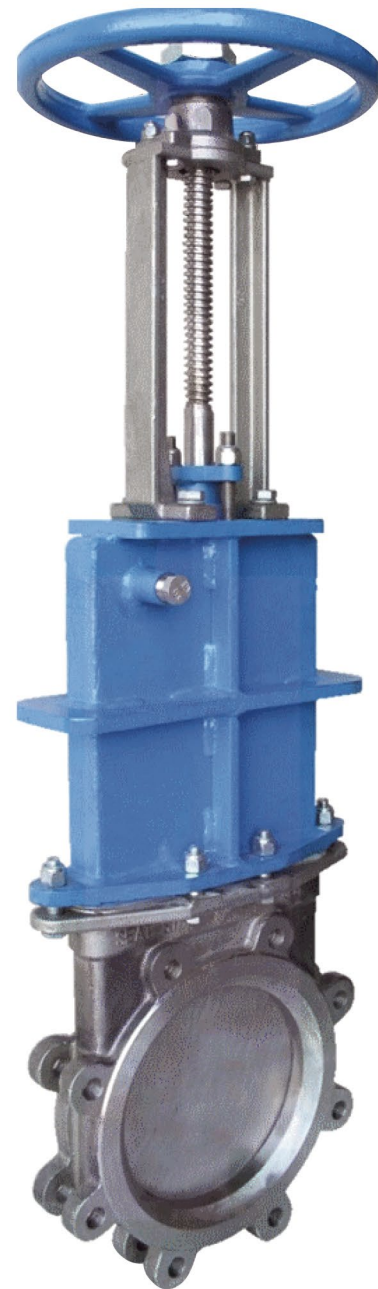
www.duncanco.com

612-331-1776

LVC FIGURE 193 BONNETED METAL SEATED Knife Gate Valve

FEATURES

- Bonneted knife gate valves are ideally suited to reduce fugitive emissions and packing leakage.
- Cast stainless steel body, gland and yoke.
- Wiper between body and bonnet prevents solids from entering bonnet.
- Bonnet design pressure same as valve pressure rating of 150 PSI.
- Standard TFE lubricated synthetic packing (TLSP) rated for 500° F and a pH range of 3-11.
- Heavy duty body design resists deflection from line loads and internal pressure.
- Gate design withstands full 150 PSI rated pressure as required by MSS SP-81.
- Body cavity, seat configuration, and beveled gate design provide shut off capability in thick media such as pulp stock and slurries, or solid media like pellets and powders.
- Heavy duty cast stainless steel yoke prevents bending or twisting under extreme loads.
- Easy conversion from handwheel operator to pneumatic or hydraulic cylinder, bevel gear, or electric motor operator using existing cast yoke.
- Enclosed bronze stem bushing reduces operating torque and protects the stem bushing in harsh environments.
- Hard faced seat available to prevent galling in high cycle and/or high end pressure or abrasive applications.
- V-Port or O-Ring resilient seats available to suit specific applications.
- Precision machined stainless steel gate provides superior seating capability.
- Stainless steel stem provides corrosion resistance.
- Flange drilling meets ANSI B16. 5-150 LB standards with all tapped holes and serrated gasket faces.
- Full port ID.
- MSS SP-81 Stainless Steel, Bonnetless, Flanged Knife Gate Valves.
- AWWA C520-10 Knife Gate Valves, 2in.—96in.



MUELLER

MATERIALS OF CONSTRUCTION

MODEL 193

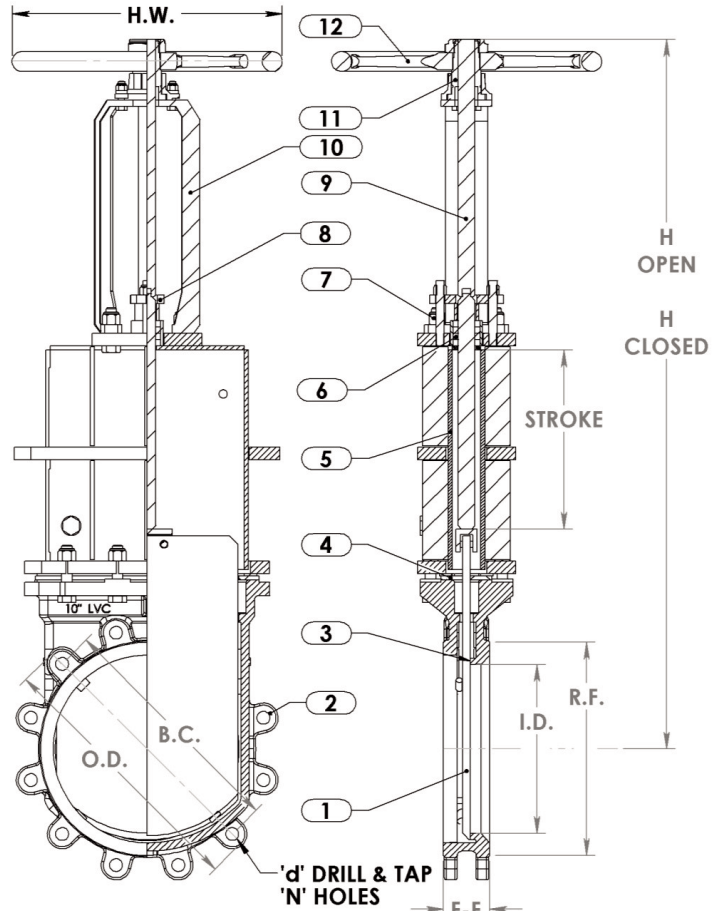
1	Gate	SS
2	Body	SS
3	Seat	SS
4	Wiper	UHMW
5	Bonnet	SS / CS
6	Packing	TLSP*
7	Bolts	SS
8	Gland	SS
9	Stem	SS
10	Yoke	SS
11	Stem Nut	Bronze
12	Handwheel	DI

**TLSP = TFE Lubricated Synthetic Packing.

SS = Standard with 304 or 316 stainless steel.

Other alloys available.

Normally supplied with handwheel for manual operation, but can be modified for chainwheel, bevel gear, fail safe spring cylinder, electric motor, hydraulic or pneumatic cylinder operator.



DIMENSIONS (INCHES) AND WEIGHTS

		2	3	4	6	8	10	12	14	16	18	20	24
Face-to-Face	F-F	1-7/8	2	2	2-1/4	2-3/4	2-3/4	3	3	3-1/2	3-1/2	4-1/2	4-1/2
Flange OD	OD	6	7-1/2	9	11	13-1/2	16	19	21	23-1/2	25	27-1/2	32
Bolt Circle	BC	4-3/4	6	7-1/2	9-1/2	11-3/4	14-1/4	17	18-3/4	21-1/4	22-3/4	25	29-1/2
Flanged Raised Face	RF	3-5/8	5	6-3/16	8-1/2	10-5/8	12-3/4	15	16-1/4	18-1/2	21	23	27-1/4
Inside Diameter	ID	2	3	4	6	8	10	12	13-1/4	15-1/4	17-1/4	19-1/4	23-1/4
No. of Bolt Holes	N	4	4	8	8	8	12	12	12	16	16	20	20
Hole D&T Size	D	5/8"-11	5/8"-11	5/8"-11	3/4"-10	3/4"-10	7/8"-9	7/8"-9	1"-8	1"-8	1-1/8"-7	1-1/8"-7	1-1/4"-7
C/L to Top-Closed	H-CLS	19	21-3/4	25-3/8	30-1/4	35-9/16	41-3/8	47-3/4	58	64	70-1/4	74-1/2	88-1/2
C/L to Top-Open	H-OPN	21	25-1/4	29-7/8	37	44-1/8	51-7/8	61-1/2	72-1/4	80-1/2	88-1/4	94-1/4	112-1/4
Handwheel Dia.	H/W	12	12	12	12	12	16	16	20	20	20	20	20
Weight - lbs	WT	39	64	75	109	160	251	295	335	470	740	990	1400
Stroke	S	2-1/2	3-1/2	4-1/2	6-1/2	8-1/2	10-1/2	12-1/2	13-7/8	16	18	20-1/8	24-3/16

675 Mitchell Avenue, Woodland, WA 98674, moreinfo@prattvalve.com, P: 800.423.1323

Mueller refers to one or more of Mueller Water Products, Inc., a Delaware corporation ("MWP"), and its subsidiaries. MWP and each of its subsidiaries are legally separate and independent entities when providing products and services. MWP does not provide products or services to third parties. MWP and each of its subsidiaries are liable only for their own acts and omissions and not those of each other. MWP brands include Mueller®, Echologics®, Hydro Gate®, Hydro-Guard®, Jones®, MiNet®, Milliken®, Pratt®, Singer®, and U.S. Pipe Valve & Hydrant. Please see www.muellerwp.com/about to learn more.

Copyright © 2018 Henry Pratt Company, LLC. All Rights Reserved. The trademarks, logos and service marks displayed in this document are the property of Mueller Water Products, Inc., its affiliates or other third parties. Products above marked with a section symbol (§) are subject to patents or patent applications. For details, visit www.mwppat.com. These products are intended for use in potable water applications. Please contact your Mueller Sales or Customer Service Representative concerning any other application(s).

