



CHAMPION VALVES INC

Distributed by:



Ph: 612-331-1776  
www.duncanco.com

# MODEL SCT™ THREADED STYLE SILENT CHECK VALVE

## FEATURES

- Non-Slam, Reliable Performance
- Excellent Pressure Loss and Flow Characteristics
- Long Service Life
- Suitable for a Wide Range of Applications
- Liquid, Steam and Gas Service Compatible (Consult factory for steam service applications)
- Economical Design with High Quality Performance

## TECHNICAL

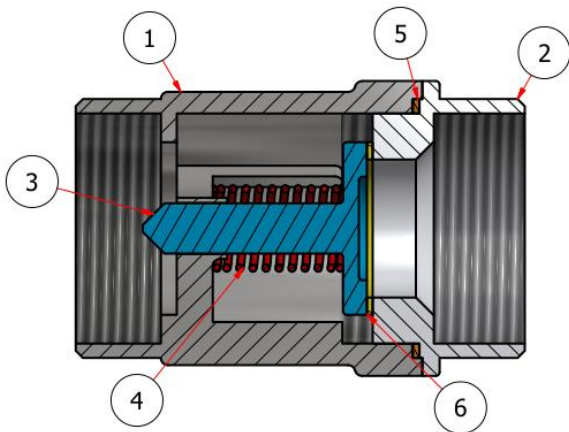
- Size range: ½" – 2"
- Pressure Rating: 740 WOG
- End Connection: ASME B1.20.1 NPT Thread
- Materials of Construction: ASTM A351 Gr. CF8M Body and Disc
- Seat Materials: PTFE/Integral Metal
- Spring-Loaded, Lightweight Disc
- Valve Guide Utilizes Three-Diffuser Support System
- Precision Machined Seat
- Alignment: Horizontal or Vertical (Consult factory for vertical installation)



## SELECTION CHART

Size	Body	Disc	Seals	Pressure Rating
½" – 2"	316 SS (CF8M)	316 SS	Integral Metal	740 WOG
½" – 2"	316 SS (CF8M)	316 SS	PTFE	740 WOG

## MATERIALS OF CONSTRUCTION



Component	Material	Grade
(1) Body	316 SS	ASTM A351 Gr. CF8M
(2) End Cap	316 SS	ASTM A351 Gr. CF8M
(3) Disc	316 SS	ASTM A351 Gr. CF8M
(4) Spring	316 SS	ASTM A351 Gr. CF8M
(5) Seal Ring	PTFE	ASTM D3294
Component	Material	Temperature
(6) Seat	Integral Metal	-100°F to 500°F (-73°C to 260°C)
	PTFE	-40°F to 300°F (-40°C to 149°C)



CHAMPIONVALVESINC

# MODEL SCT™ THREADED STYLE SILENT CHECK VALVE

## FIGURE NUMBER INFORMATION

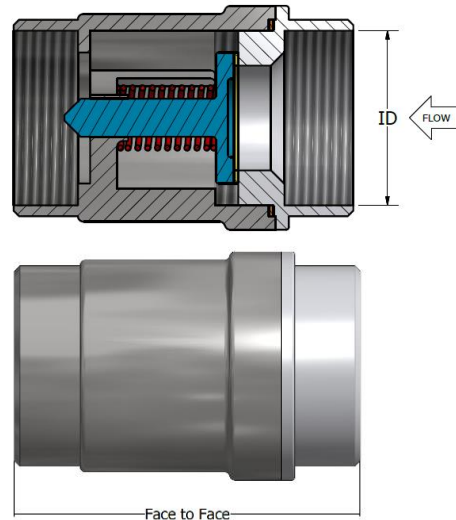
**Order Example:** Specifications for 1" Champion Valves Threaded Silent Check Valve Model SCT, 740 WOG, 316 Stainless Steel Body with 316 Stainless Steel Disc; PTFE Seat; 316 Stainless Steel Spring; NPT Threaded End Connection.

SIZE	MODEL		BODY	DISC	SEAT	SPRING		END CONNECTION	MODIFICATION NUMBER
1.0	SCT	-	S	S	T	S	-	T	

SIZE	ORDERING DESIGNATION
½"	0.5
¾"	0.7
1"	1.0
1 ¼"	1.2
1 ½"	1.5
2"	2.0
MODEL	ORDERING DESIGNATION
SCT	SCT

BODY	ORDERING DESIGNATION
316 SS	S
DISC	ORDERING DESIGNATION
316 SS	S
SEAT	ORDERING DESIGNATION
INTEGRAL METAL	P
PTFE	T
SPRING	ORDERING DESIGNATION
316 SS	S

END CONNECTION	ORDERING DESIGNATION
NPT THREAD	T



## RATINGS AND DIMENSIONS

Dimensions						Ratings	
ID		Face to Face		Weight		C <sub>v</sub>	P <sub>c</sub>
NPS/IN	DN/MM	IN	MM	LBS	KGS	GPM	PSI
½	15	2 ⅝	60	0.50	0.23	3.60	1.35
¾	20	2 ⅝	67	0.65	0.29	6.60	1.61
1	25	3 ¼	83	1.0	0.45	11.0	0.84
1 ¼	32	3 ⅝	92	1.5	0.68	17.0	0.91
1 ½	40	4	102	2.5	1.1	24.4	0.95
2	50	4 ¼	108	3.3	1.5	43.6	1.05

Approximate weight and dimensions. Apply for certified drawings.

## QUALITY SYSTEM

Champion Valves, Inc. is dedicated to the goal of total quality management to provide industry-best products and services to our customers.



ISO 9001  
Quality