



CHAMPION VALVES INC

Distributed by:



Ph: 612-331-1776
www.duncanco.com

MODEL SCG™

AXIAL DISC GLOBE SILENT CHECK VALVE



FEATURES

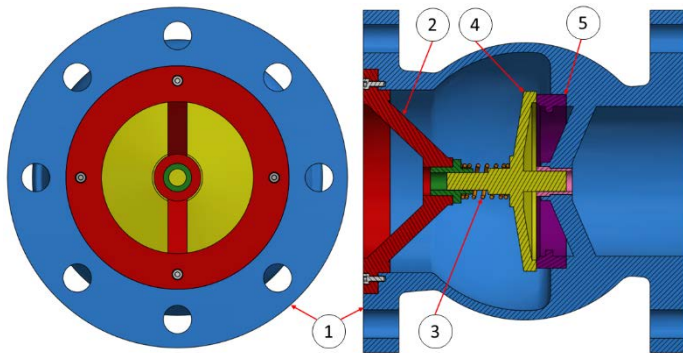
- Designed to positively close before a reversal of flow takes place to facilitate silent operation.
- Closure at approximately ½ psi positive head on the inlet port of the valve prevents water hammer.
- All internal support hardware, including disc, spring, braces, brackets and screws, are manufactured of corrosion-resistant stainless steel.
- 2" through 24" body sizes supplied with ASME Class 125 pressure rating.
- 316 Stainless Steel, Carbon Steel and Ductile Iron body designs available with metal or resilient seat sealing options.
- The one-piece body design eliminates leak paths to ensure superior performance.
- All SCG Silent Check Valves are thoroughly tested and inspected to meet our strict ISO 9001 quality system standards.
- Economical design with high-quality performance.

SELECTION CHART

Size	Body	Disc	Seats	Pressure Class
2" – 24"	Ductile Iron		Metal	125
2" – 12"	Carbon Steel	316SS	25% RPTFE	150
2" – 12"	316 Stainless Steel		Resilient	150

PARTS DESCRIPTION

Materials of Construction



Component	Material	Grade
(1) Body	Ductile Iron	ASTM A395 Gr. 60-40-18
	Carbon Steel	ASTM A216 Gr. WCB
	316 Stainless Steel	ASTM A351 Gr. CF8M
(2) Guide	316 Stainless Steel	ASTM A351 Gr. CF8M
(3) Spring	316 Stainless Steel	ASTM A313 Gr. CF8M
(4) Disc	316 Stainless Steel	ASTM A351 Gr. CF8M
	Various	
	Elastomers	
(5) Seat	316 Stainless Steel	ASTM A351 Gr. CF8M

FIGURE NUMBER INFORMATION

Order Example: Specifications for 6" Champion Valves Model SCG Silent Globe Check Valve, ASME Class 125, Ductile Iron Body with 316 Stainless Steel Disc; 316 Stainless Steel Metal Seat; 316 Stainless Steel Spring; Plain Face End Connection

SIZE	MODEL	PRESSURE CLASS		BODY	DISC	SEAT	SPRING		END CONNECTION
6	SCG	12	-	L	S	S	S	-	P

SIZE RANGE
2" through 24"
MODEL
SCG
PRESSURE CLASS
12 – Class 125
15 – Class 150
BODY MATERIAL
L – Ductile Iron, ASTM A395 Gr. 60-40-18
C - Carbon Steel , ASTM A216 Gr. WCB
S - 316 Stainless Steel, ATSM A351 Gr. CF8M
DISC MATERIAL
S - 316 Stainless Steel, ATSM A351 Gr. CF8M
SEAT
B - Buna-N
E - EPDM
P - Integral Metal
T - RPTFE
V - Viton®
SPRING
S – 316 Stainless Steel, ASTM A313, Gr. CF8M
END CONNECTION
P – Plain Face
R - Serrated Raised Face

RATINGS AND DIMENSIONS

Class 125 Ductile Iron

Dimensions				Ratings			
Size		Face to Face		Weight		C _v	P _c
IN	MM	IN	MM	LBS	KGS	GPM	PSI
2	50	6 1/4	159	17	8	37	2.41
2 1/2	65	7	178	23	10	42	1.75
3	80	7 17/32	191	29	13	59	0.69
4	100	8 1/2	216	42	19	120	2.21
5	125	9 1/2	241	61	28	227	1.28
6	150	10 1/2	267	88	40	375	1.22
8	200	13 1/2	343	174	79	725	0.57
10	250	16 1/2	413	250	113	1200	0.59
12	300	20 1/4	514	405	184	1780	0.92
14	350	20 1/2	578	584	265	2475	0.47
16	400	24 3/4	629	831	377	3280	0.45
18	450	22 15/32	571	958	434	4200	0.44
20	500	24	610	1195	542	5250	0.43
24	600	24	610	1376	624	7675	0.45

Class 150 Carbon Steel

Dimensions				Ratings			
Size		Face to Face		Weight		C _v	P _c
IN	MM	IN	MM	LBS	KGS	GPM	PSI
2	50	6 1/4	159	17	8	37	2.41
2 1/2	65	7	178	23	10	42	1.75
3	80	7 17/32	191	33	15	59	0.69
4	100	8 1/2	216	53	24	120	2.21
5	125	9 1/2	241	61	28	227	1.28
6	150	10 1/2	267	77	35	375	1.22
8	200	12	305	139	63	725	0.57
10	250	14	356	223	101	1200	0.59
12	300	18	457	419	190	1780	0.92

Class 150 Stainless Steel

Dimensions				Ratings			
Size		Face to Face		Weight		C _v	P _c
IN	MM	IN	MM	LBS	KGS	GPM	PSI
2	50	6 1/4	159	17	8	37	2.41
2 1/2	65	7	178	23	10	42	1.75
3	80	7 17/32	191	33	15	59	0.69
4	100	8 1/2	216	53	24	120	2.21
5	125	9 1/2	241	61	28	227	1.28
6	150	10 1/2	267	77	35	375	1.22
8	200	12	305	139	63	725	0.57
10	250	14	356	223	101	1200	0.59
12	300	18	457	419	190	1780	0.92

Approximate weight and dimensions. Apply for certified drawings.
 Contact the factory for custom configurations.

Other Material Options available. Consult factory for lead times.

ORDER SYMBOL	SEAT	OPERATING TEMPERATURE			
		°C		°F	
		MIN	MAX	MIN	MAX
B	Buna-N	-57	120	-70	250
E	EPDM	-18	135	0	300
P	Integral Metal	-267	537	-450	1000
T	RPTFE	-40	149	-40	300
V	Viton®	-40	204	-40	400

QUALITY SYSTEM

Champion Valves, Inc. is dedicated to the goal of total quality management to provide industry-best products and services to our customers.

