



CHAMPION VALVES INC

Distributed by:



Ph: 612-331-1776
www.duncanco.com

MODEL CVL™

ELASTOMER LINED WAFER CHECK VALVE

FEATURES

- The Model CVL elastomer lined check valve is available in EPDM (standard), Buna-N, and Viton® configurations.
- A fully lined elastomer insert provides complete isolation of the process media from the ductile iron valve body.
- All internal support hardware, including discs, springs, braces and brackets, are manufactured of corrosion-resistant 316 Stainless Steel.
- 2" through 20" body sizes available in ASME Class 150 rating.
- Plate travel stops are integrally molded into the liner to eliminate seams and dissimilar material issues.
- The protruding liner face eliminates the need for flange gaskets.
- The ductile iron valve body is fully coated inside and out with a highly durable layer of epoxy paint.
- All CVL Elastomer Lined Dual Disc Wafer Check Valves are thoroughly tested and inspected to meet our strict ISO 9001 system standards.

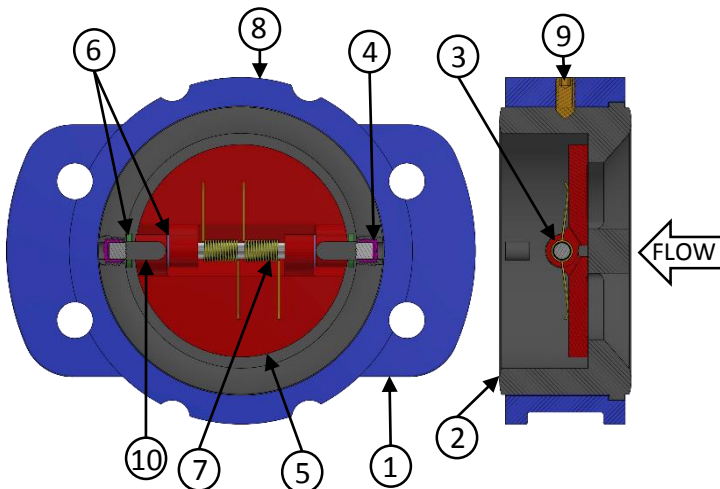


SELECTION CHART

Size	Body	Disc	Seat	Pressure Class
2" – 20"	Ductile Iron	316 SS	EPDM, Buna-N, Viton®	150

PARTS DESCRIPTION

Materials of Construction



Component	Material	Grade
(1) Body	Ductile Iron	ASTM A395 Gr. 60-40-18
(2) Liner	EPDM, Buna, Viton®	
(3) Shaft	316 Stainless Steel	
(4) Insert Shaft	316 Stainless Steel	
(5) Disc	316 Stainless Steel	ASTM A351 Gr. CF8M
(6) Gasket	PTFE	
(7) Spring	316 Stainless Steel	
(8) Body	Ductile Iron	ASTM A395 Gr. 60-40-18
(9) Screw	Mild Steel	
(10) Disc Stop	EPDM, Buna, Viton®	



CHAMPION VALVES INC

MODEL CVL™
ELASTOMER LINED
WAFER CHECK VALVE

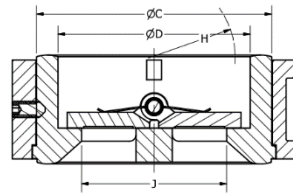
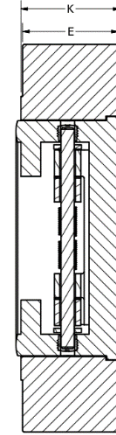
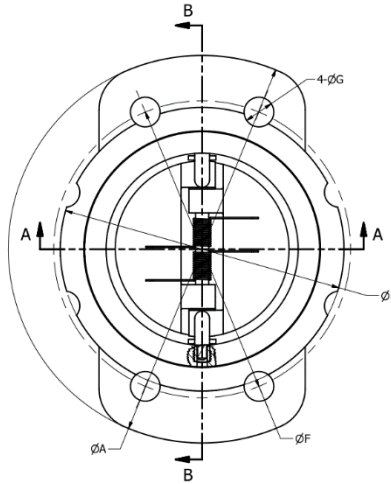
FIGURE NUMBER INFORMATION

Order Example: Specifications for 4" Champion Valves Model CVL Lined Wafer Check Valve, ASME Class 150, Ductile Iron Body with 316 Stainless Steel Disc; EPDM Seat; 316 Stainless Steel Spring; Plain Face End Connection

SIZE	MODEL	PRESSURE CLASS		BODY	DISC	LINER	SPRING		END CONNECTION
4	CVL	15	-	L	S	E	S	-	P

SIZE RANGE
2" through 20"
MODEL
CVL
PRESSURE CLASS
15 - Class 150
30 - Class 300
BODY MATERIAL
L - Ductile Iron, ASTM A395 Gr. 60-40-18
DISC MATERIAL
S - 316 Stainless Steel, ASTM A351 Gr. CF8M
LINER MATERIAL
B - Buna-N
E - EPDM
V - Viton®
SPRING MATERIAL
S - 316 Stainless Steel, ASTM A313 Gr. CF8M
END CONNECTION
P - Plain Face

RATINGS AND DIMENSIONS



Class 150 Ductile Iron			
Size	Weight	C _v	
IN	MM	LBS	KGS
2	50	4	1.8
2 1/2	65	6	2.7
3	80	7	3.2
4	100	12	5.4
5	125	15	6.8
6	150	20	9
8	200	40	18
10	250	64	29
12	300	110	50
14	350	183	83
16	400	256	116
18	450	315	143
20	500	379	172

Class 150 Ductile Iron																					
Size	A	B	C	D	E	F	G	H	J	K											
in	mm	in	mm	in	mm	in	mm	in	mm	in	mm	in	mm	in	mm	in	mm	in	mm	in	mm
2	50	6 1/4	158.75	4	101.6	3 5/16	84.14	2 5/8	66.68	2 1/16	52.39	4 3/4	120.5	3/4	19	1 1/8	28.58	1 7/8	47.63	2 1/8	53.98
2 1/2	65	7	177.8	4 3/4	120.65	3 7/8	98.43	3 1/8	79.38	2 1/16	52.39	5 1/2	139.5	3/4	19	1 7/16	36.51	2 5/16	58.74	2 1/8	53.98
3	80	7 1/2	190.5	5 1/4	133.35	4 9/16	115.89	3 5/8	92.08	2 1/16	52.39	6	152.4	3/4	19	1 5/8	41.28	2 3/4	69.85	2 1/8	53.98
4	100	9 1/4	234.95	6 3/4	171.45	5 5/8	142.88	4 5/8	117.48	2 7/16	61.91	7 1/2	190.5	3/4	19	2 1/8	53.98	3 7/16	87.31	2 1/2	63.5
5	125	10 5/8	269.88	7 5/8	193.68	6 3/4	171.45	5 11/16	144.46	2 9/16	65.09	8 1/2	216	7/8	22	2 21/32	67.47	4 7/16	112.71	2 5/8	66.68
6	150	12	304.8	8 3/4	222.25	7 7/8	200.03	6 3/4	171.45	3 1/16	77.79	9 1/2	241.5	7/8	22	3 5/32	80.17	5 9/16	141.29	3 1/8	79.38
8	200	14 1/2	368.3	10 5/8	269.88	10	254	8 3/4	222.25	3 13/16	96.84	11 3/4	298.4	7/8	22	4 5/32	105.57	7 9/16	192.09	3 7/8	98.43
10	250	16 7/8	428.63	13 1/4	336.55	12 1/8	307.98	10 7/8	276.23	3 15/16	100.01	14 1/4	362	1 1/32	26	5 1/8	130.18	9 1/16	230.19	4	101.6
12	300	19 1/2	495.3	16	406.4	14 3/8	365.13	12 7/8	327.03	5 1/16	128.59	17	432	1 1/32	26	6 1/4	158.75	10 13/16	274.64	5 1/8	130.18
14	350	22 1/2	571.5	17 5/8	447.68	15 5/8	396.88	14 1/8	358.78	7	177.8	18 3/4	476.2	1 5/32	29	6 3/4	171.45	12 1/16	306.39	7 1/8	180.98
16	400	24 7/8	631.83	20 1/8	511.18	17 3/4	450.85	16 1/8	409.58	6 1/4	158.75	20 27/32	529.5	1 5/32	29	7 3/4	196.85	14	355.6	6 3/8	161.93
18	450	25 1/4	641.35	21 1/2	546.1	20	508	18 1/8	460.37	7 1/8	180.97	22 3/4	577.8	1 1/4	32	8 3/4	222.25	16	406.14	7 1/4	184.15
20	500	27 1/2	698.5	23 1/2	596.9	21 7/8	555.62	20 1/8	511.17	8 3/8	212.72	25	635	1 1/4	32	9 3/4	247.65	18 1/2	469.9	8 1/2	215.9

Approximate weight and dimensions. Apply for certified drawings.
Visit www.wafercheck.com for full range dimensional drawings.
Other Material options available. Consult factory for lead times.

ORDER SYMBOL	SEAT	OPERATING TEMPERATURE				NOTE
		°C		°F		
		MIN	MAX	MIN	MAX	
B	Buna-N	-57	120	-70	250	Seat operating temperatures may vary from body material range noted. Please consult with the factory for further clarification.
E	EPDM	-18	135	0	300	
V	Viton®	-40	204	-40	400	

QUALITY SYSTEM

Champion Valves, Inc. is dedicated to the goal of total quality management to provide industry-best products and services to our customers.



SAI GLOBAL
ISO 9001
Quality