



Distributed by:  
**DUNCAN CO**  
 www.duncanco.com  
 612-331-1776

# CleanTECH Series SB6 Ball Valve

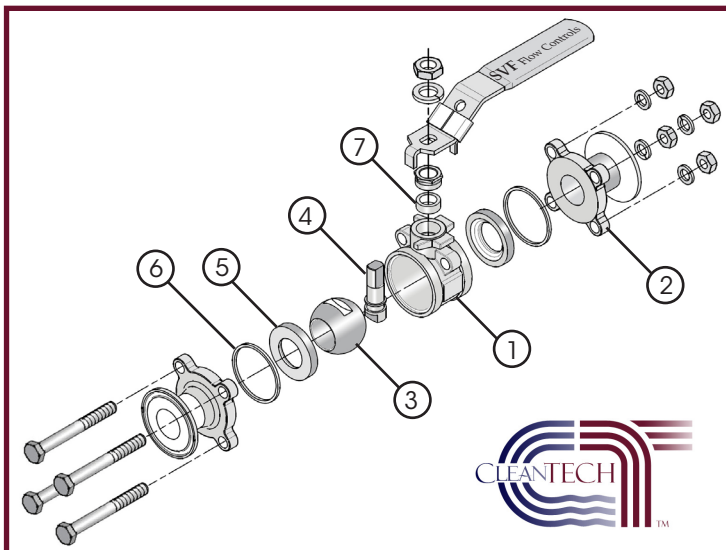
## Three-Piece, High Purity Clamp End Ball Valve

Sizes 1/2" ~ 4"

The SVF Series SB6 Ball Valve is part of our family of CleanTECH® products, and is designed for applications throughout the Food & Beverage, Cosmetic and Fragrance industries.

### SERIES SB6 DESIGN FEATURES

- ≡ Three-piece investment cast stainless steel
- ≡ TFM1600™ seat material and PTFE body seal material complies with FDA CFR Title 21 Part 177.1550
- ≡ Clamp tube ends for easy valve removal
- ≡ Three-piece "swing out" design offers easy access for in-line maintenance
- ≡ Blowout proof stem adds safety & reliability
- ≡ "Tube-ID" flow path for drainability
- ≡ Locking Device helps prevent accidental operation
- ≡ All materials comply with applicable ASTM material specifications and FDA, USDA and 3A requirements
- ≡ Silicone Free
- ≡ Available with cavity filled seats (SBC6)



### MATERIALS OF CONSTRUCTION

ITEM	DESCRIPTION	MATERIALS SPECIFICATIONS (Additional options available)
1	Body	316 Stainless Steel (ASTM A351 CF8M)
2	End Connector	316 Stainless Steel (ASTM A351 CF8M)
3	Ball	316 Stainless Steel
4	Stem	316 Stainless Steel
5	Seat	TFM1600™
6	Body Seal	PTFE
7	Stem Seal	PTFE

### SPECIFICATION STANDARDS OF COMPLIANCE

Series SB6 valves are designed to comply with the following industry standards:

- ASME/BPE for pharmaceutical equipment, surface finish, "Tube-ID" flow path and materials
- All materials comply with ASTM, FDA and 3A guidelines
- TFM1600™ seat material and PTFE body seal material complies with FDA CFR Title 21 Part 177.1550

*What do you need today?™*



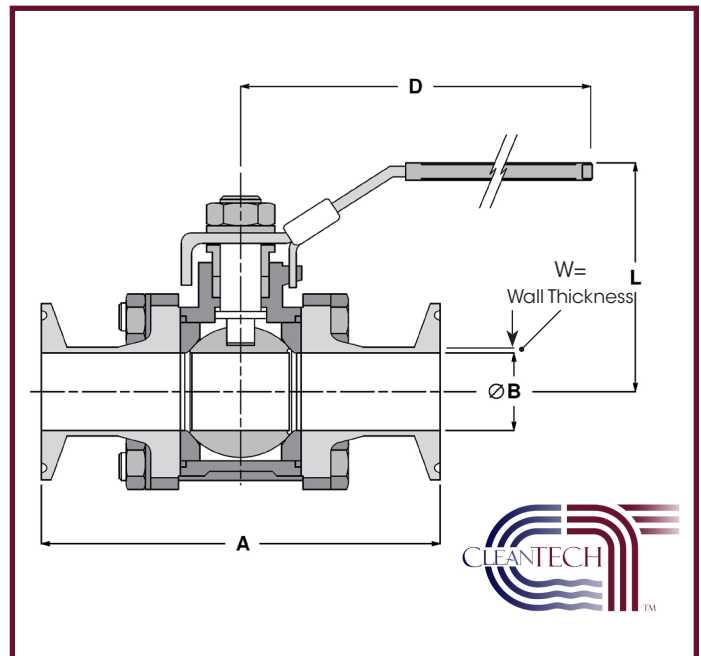
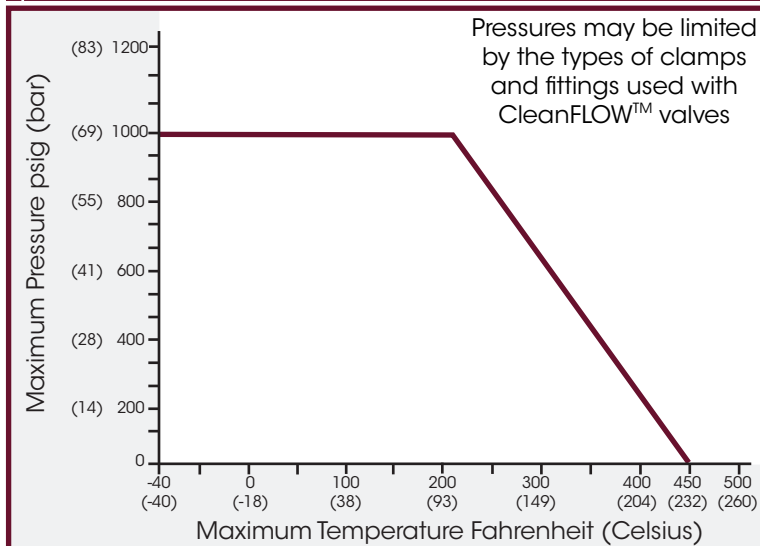
# CleanTECH Series SB6 Ball Valve

Three-Piece, High Purity Clamp End Ball Valve  
 Sizes 1/2" ~ 4"

## DIMENSIONS, WEIGHT, Cv, TORQUE

Size	A		B		D		L		W		Weight		Cv
	in.	mm	in.	mm	in.	mm	in.	mm	in.	mm	lbs	kg	
1/2"	3.50	89	0.37	9	4	104	1.9	48	0.065	1.7	1	0.5	8
3/4"	3.99	101	0.62	16	5	124	2.1	53	0.065	1.7	1.2	0.5	29
1"	4.50	114	0.87	22	6	145	2.5	63	0.065	1.7	2.3	1.0	66
1-1/2"	5.50	140	1.37	35	8	191	3.0	76	0.065	1.7	4.7	2.1	192
2"	6.24	158	1.87	48	8	191	3.4	86	0.065	1.7	7.5	3.4	434
2-1/2"	6.74	172	2.37	60	10	249	5.3	135	0.065	1.7	20	9.1	723
3"	7.00	178	2.87	73	10	249	5.7	145	0.065	1.7	30	13.6	1124
4"	8.50	216	3.83	97	11	287	6.8	173	0.083	2.1	40	18.2	2100

## SB6 - PRESSURE/TEMPERATURE CHART



## HOW TO ORDER SERIES SB6 BALL VALVES

Please refer to the next page for our comprehensive  
 How to Order Guide for Series SB6 Ball Valves.



# CleanTECH Series SB6 Ball Valve

## Three-Piece, High Purity Clamp End Ball Valve

### Sizes 1/2" ~ 4"

Ordering Code Sequence (Columns 1 thru 11)

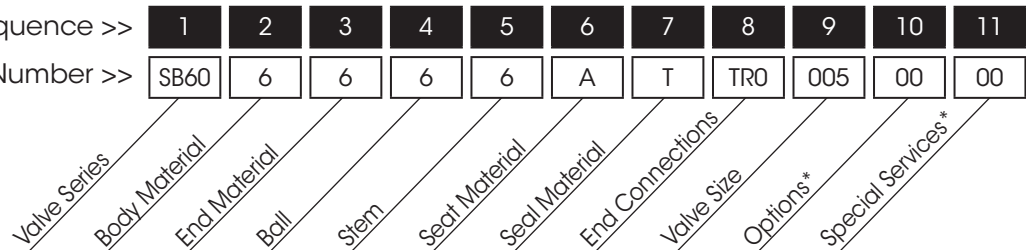
1	2	3	4	5	6
SERIES	BODY	ENDS	BALL	STEM	SEAT MATERIAL
SB60 =	6 = 316 Stainless Steel	6 = 316 Stainless Steel	6 =	6 =	A = TFM1600™
Series SB6	ASTM A351 CF8M	ASTM A351 CF8M	316 Stainless Steel	316 Stainless Steel	Q = TFM1600™ Cavity Filled

7	8	9	10	11
BODY SEAL	END CONNECTIONS	VALVE SIZE	OPTIONS*	SPECIAL SERVICES*
T = PTFE	TR0 = Tri-Clamp Ends	005 = 1/2" 007 = 3/4" 010 = 1" 015 = 1-1/2" 020 = 2" 025 = 2-1/2" 030 = 3" 040 = 4"	00 = None	00 = None XC = Oxygen Cleaned EP = Electropolished AD = Oxygen Cleaned & Electropolished

Order Example: (SB606666ATTR00050000) The Part Number will contain 20 digits.

Ordering Code Sequence >>

Sample Part Number >>



Manual Valves are supplied with lockable lever handles.

\* Not all Options or Special Services available on all ball valves. Consult SVF for additional information.