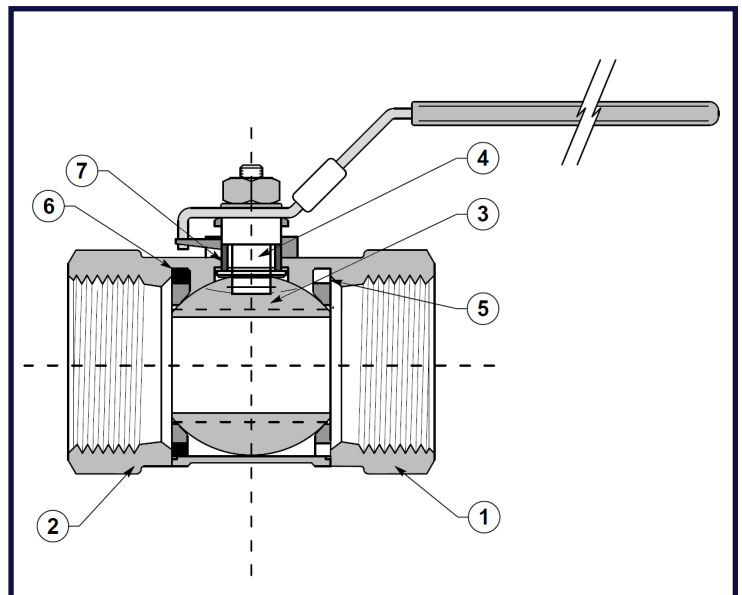
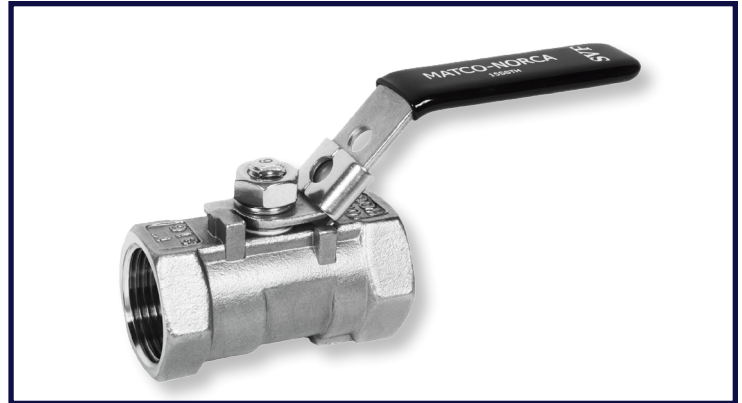


The SVF Series REV standard port ball valves are designed for general purpose performance in a wide variety of utility applications. The REV is an economical, manually operated valve that meets industry requirements for performance and dependability.

### REV DESIGN FEATURES

- ✓ 316 Stainless Steel body, ball and stem
- ✓ Pressure rated for 800 WOG
- ✓ Designed & built for economical performance
- ✓ Threaded end connectors
- ✓ Lightweight and economical
- ✓ Vinyl grip handle
- ✓ Blowout proof stem adds safety & reliability
- ✓ Lockable in the "Open" or "Closed" position



### MATERIALS OF CONSTRUCTION

ITEM	DESCRIPTION	MATERIALS SPECIFICATIONS (Additional options available)
1	Body	316 Stainless Steel (ASTM A351- CF8M)
2	End Connector	316 Stainless Steel (ASTM A351- CF8M)
3	Ball	316 Stainless Steel
4	Stem	316 Stainless Steel
5	Seat	RTFE
6	Body Seal	PTFE
7	Stem Seal	PTFE

### SPECIFICATION STANDARDS OF COMPLIANCE

SVF Series REV Ball Valves are available in designs that meet the following Industry Standards:

- ANSI
- ASME
- API
- NACE
- ASTM
- DIN
- ISO
- MSS

Contact SVF for specific applications

*What do you need today?*™

HIGH PURITY VALVES  
**CleanFLOW**

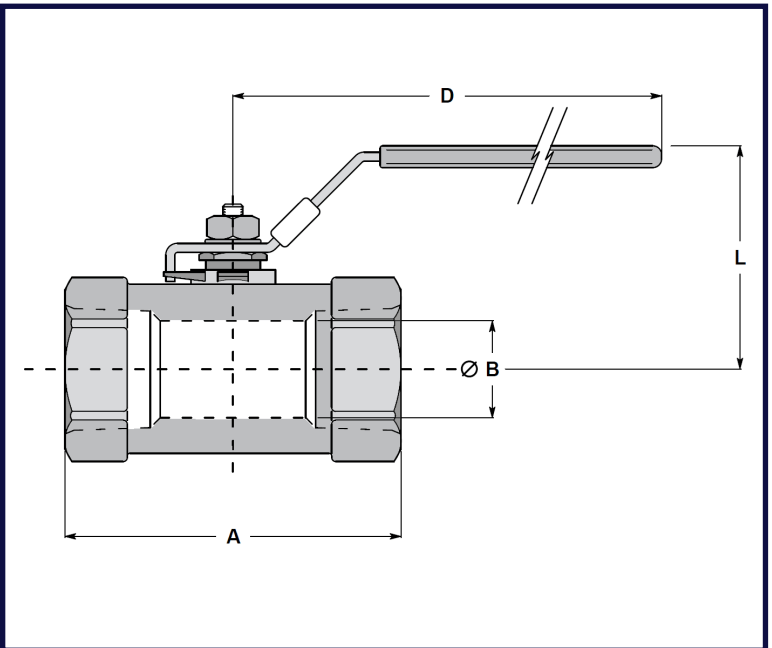
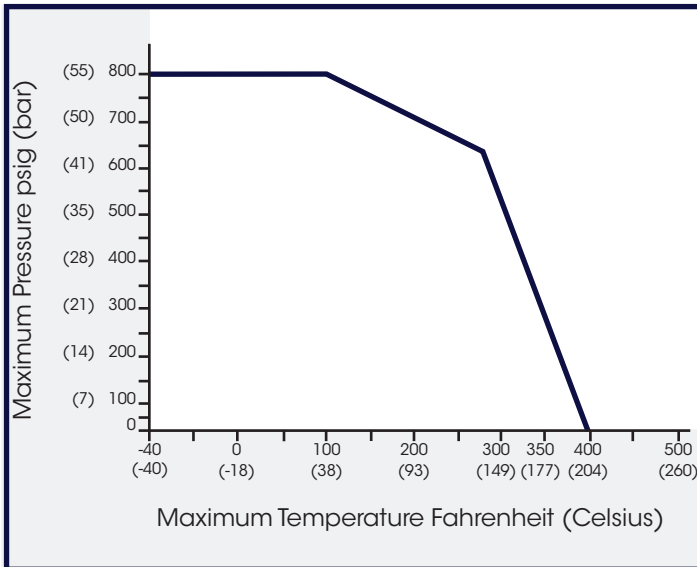
**PRO-SPEC**  
PROCESS SPECIFIC  
WWW.PRO-SPEC.NET

**QUALITY FLOWS**  
THROUGH US

## DIMENSIONS, WEIGHT, Cv

Size	A		B		D		L		Weight		Cv
	in.	mm	in.	mm	in.	mm	in.	mm	lbs	kg	
1/4"	1.54	39	0.20	5.0	2.72	69	1.38	35	0.15	0.07	4
3/8"	1.73	44	0.28	7.2	3.11	79	1.42	36	0.25	0.11	8
1/2"	2.25	57	0.36	9.2	4.29	109	1.57	40	0.38	0.16	14
3/4"	2.32	59	0.49	12.5	4.29	109	1.65	42	0.55	0.25	27
1"	2.80	71	0.59	15.0	4.41	112	1.85	47	0.95	0.43	40
1-1/4"	3.07	78	0.79	20.0	4.41	112	2.09	53	1.54	0.69	72
1-1/2"	3.27	83	0.98	25.0	6.18	157	2.44	62	1.87	0.84	115
2"	3.94	100	1.18	32.0	6.18	157	2.64	67	2.86	1.29	

## REV - PRESSURE/TEMPERATURE CHART



## HOW TO ORDER SERIES REV BALL VALVES

Part Number	Description	Part Number	Description	Part Number	Description
REV15SSTH01	1/4" REV SS NPT	REV15SSTH04	3/4" REV SS NPT	REV15SSTH07	1-1/2" REV SS NPT
REV15SSTH02	3/8" REV SS NPT	REV15SSTH05	1" REV SS NPT	REV15SSTH08	2" REV SS NPT
REV15SSTH03	1/2" REV SS NPT	REV15SSTH06	1-1/4" REV SS NPT		