

The SVF Series P4 high pressure ball valve is designed to meet applications up to 5000 psi (1/2" rated at 5500 psi). The P4 features a carbon or stainless steel body and is available in a variety of alloy materials. This engineered valve adds safety and reliability to high pressure systems and applications in Offshore, Oil & Gas, Petrochemical, Power and Refining.

#### SERIES P4 DESIGN FEATURES

- ✓ High performance design for process-quality applications
- ✓ Live-loaded stem packing ensures seal-tight pressure containment even under thermal cycling
- ✓ 1/2" P4 rated at 5500 psi
- ✓ Three-piece "swing out" design offers easy access for in-line maintenance
- ✓ Standard seat material is Delrin®
- ✓ Blowout proof stem adds safety & reliability
- ✓ Stainless Steel fasteners and handle
- ✓ SAE Threaded Ends available (SAE Specification J1926)\*

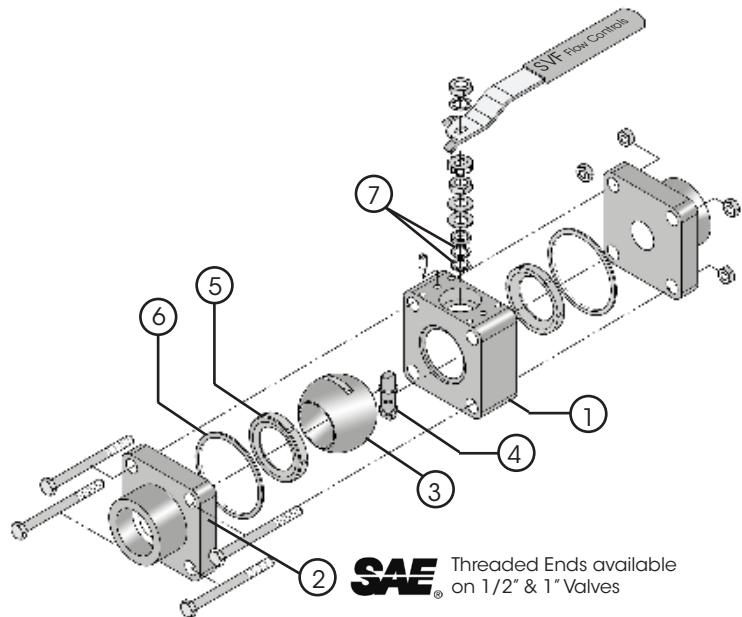
\*Available in Valve Sizes 1/2" and 1"



The Series P4 Ball Valve is available with additional options. Contact SVF for more information.

#### MATERIALS OF CONSTRUCTION

ITEM #	DESCRIPTION	MATERIALS SPECIFICATIONS (Additional options available)
1	Body	Carbon Steel (ASTM A216 WCB), 316 Stainless Steel (ASTM A351 CF8M)
2	End Connector	Carbon Steel (ASTM A216 WCB), 316L Stainless Steel (ASTM A351 CF3M)
3	Ball	316 Stainless Steel (ASTM A351 CF8M)
4	Stem	Stainless Steel 17-4 ph (ASTM A564 630)
5	Seat	Delrin®, PEEK
6	Body Seal	Buna "N", Viton®, EPDM
7	Stem Seal	SupraLon™



#### SPECIFICATION STANDARDS OF COMPLIANCE

SVF Series P4 Ball Valves are available in designs that meet the following Industry Standards:

- ANSI
- ASME
- API
- ISO
- MSS
- SAE
- DIN
- BPE
- NACE
- ASTM

What do you need today?™

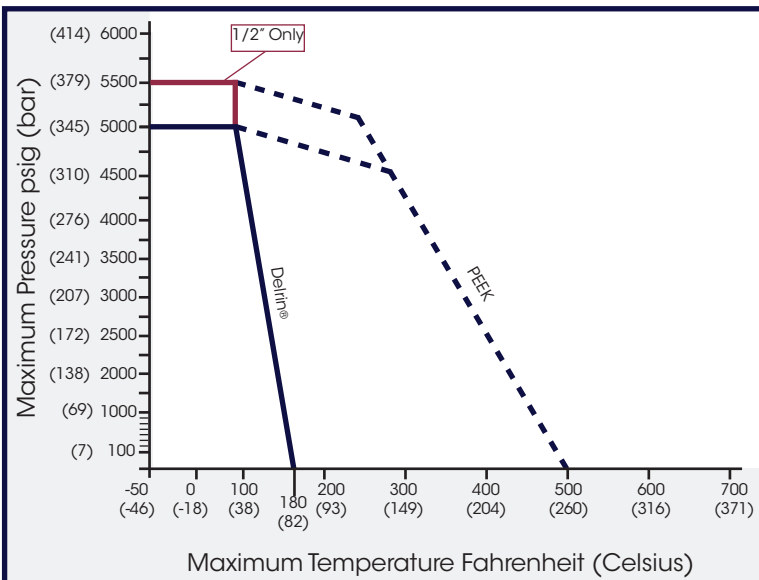
HIGH PURITY VALVES  
**CleanFLOW**

**PRO-SPEC**  
PROCESS SPECIFIC  
WWW.PRO-SPEC.NET

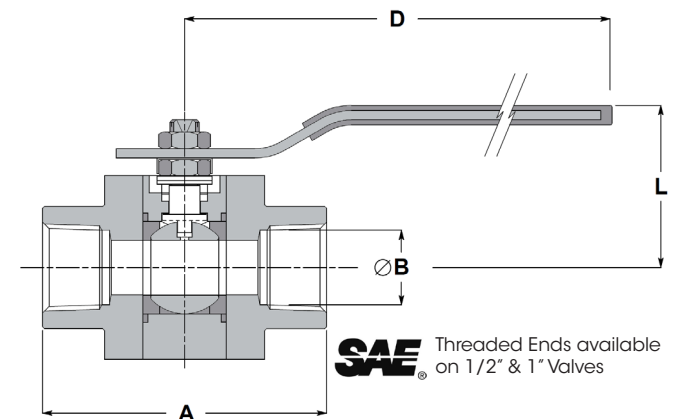
**QUALITY FLOWS  
THROUGH US**

**DIMENSIONS, WEIGHT, CV, TORQUE**

Size	A		B		D		L		Weight		Cv	Torque*	
	in.	mm	in.	mm	in.	mm	in.	mm	lbs	kg		in-lbf	Nm
1/2"	3.06	77	0.44	11	5	127	1.7	43	2	0.9	8	55	6
3/4"	3.34	85	0.56	14	5	127	1.9	48	3	1.4	12	190	21
1"	4.25	108	0.81	21	6	152	2.4	61	5	2.3	32	290	33

**P4 - PRESSURE/TEMPERATURE CHART**


\* At full differential pressure for clean fluids with Delrin® Seats


**HOW TO ORDER SERIES P4 BALL VALVES**

Please refer to the next page for our comprehensive  
 How to Order Guide for Series P4 Ball Valves.

Ordering Code Sequence (Columns 1 thru 11)

1	2	3	4	5	6
SERIES	BODY	ENDS	BALL	STEM	SEAT MATERIAL
P400 = Series	4 = Carbon Steel ASTM A216 WCB	4 = Carbon Steel ASTM A216 WCB	6 = 316 Stainless Steel	M = Stainless Steel 17-4 pH	D = Delrin**
P4	6 = 316 Stainless Steel ASTM A351 CF8M	6 = 316L Stainless Steel ASTM A351 CF3M	ASTM A351 CF8M	ASTM A564 630	K = PEEK

7	8	9	10	11
BODY SEAL	END CONNECTIONS	VALVE SIZE	OPTIONS*	SPECIAL SERVICES*
B = Buna "N"	SE0 = Screwed Ends (FNPT)	005 = 1/2"	00 = None	00 = None
V = Viton	SW0 = Socket Weld Ends	007 = 3/4"	LK = Locking Device	HC = High Cycle Stem Kit
E = EPDM	SAE = Screwed Ends per SAE Specification J1926 (1/2" & 1" Size Valves)	010 = 1"	AD = Anti-Static Device	UH = Vent/Relief Hole (Upstream Side)
	AAA = Screwed End (FNPT) X Socket Weld End		AC = Locking Device & Anti-Static Device	EP = Electropolished
	AAP = Screwed End (SAE) X Socket Weld End (1/2" & 1" Size Valves)			HG = High Pressure Gas Service

Order Example: (P400666MDBSE00050000) The Part Number will contain 20 digits.

Ordering Code Sequence >>

Sample Part Number >>

1	2	3	4	5	6	7	8	9	10	11
P400	6	6	6	M	D	B	SE0	005	00	00
Valve Series	Body Material	End Material	Ball	Stem	Seal Material	Seal Material	End Connections	Valve Size	Options*	Special Services*

\* Not all Options or Special Services available on all ball valves. Consult SVF for additional information.

\*\* Delrin Seats cannot be used for Oxygen Service.