

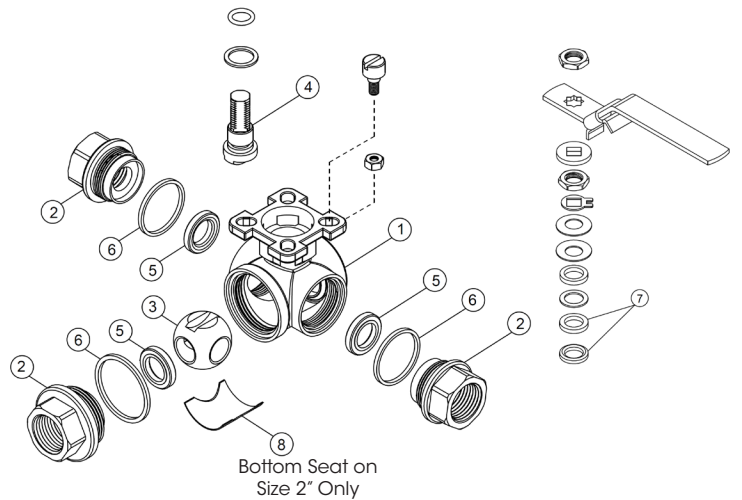
The SVF Series MZ9 Multi-Ported ball valves are designed with positive shut-off on any of the three ports for superior performance in general purpose, plant-wide applications. The direct mount feature reduces the size and weight of traditional automated valves.

SERIES MZ9 DESIGN FEATURES

- ✓ Designed & built for economical performance
- ✓ Pressure rated for 1000 WOG
- ✓ Locking handle is standard
- ✓ L-Port and T-Port options
- ✓ Positive shut-off on any of the three ports
- ✓ Full Port flow path for maximum flow
- ✓ Built-In ISO 5211 direct mounting pad for easy automation
- ✓ Blowout proof stem adds safety and reliability
- ✓ Complete 316 Stainless Steel construction

MATERIALS OF CONSTRUCTION

ITEM #	DESCRIPTION	MATERIALS SPECIFICATIONS
1	Body	316 Stainless Steel (ASTM A351 CF8M)
2	End Connector	316 Stainless Steel (ASTM A351 CF8M)
3	Ball	316 Stainless Steel (ASTM A351 CF8M)
4	Stem	316 Stainless Steel (ASTM A276)
5	Seat	PTFE
6	Body Seal	PTFE
7	Stem Seal	PTFE
8	Bottom Seat (2" Size Only)	PTFE



SPECIFICATION STANDARDS OF COMPLIANCE

SVF Series MZ9 Ball Valves are available in designs that meet the following Industry Standards:

- ANSI
- NACE
- ASTM
- ASME
- API
- MSS
- ISO

Contact SVF for specific applications

What do you need today?™

HIGH PURITY VALVES
CleanFLOW

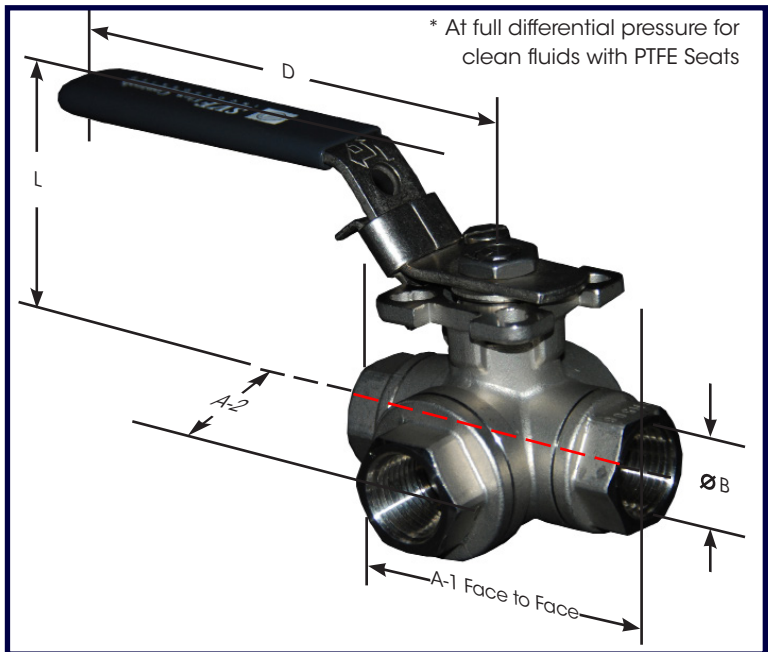
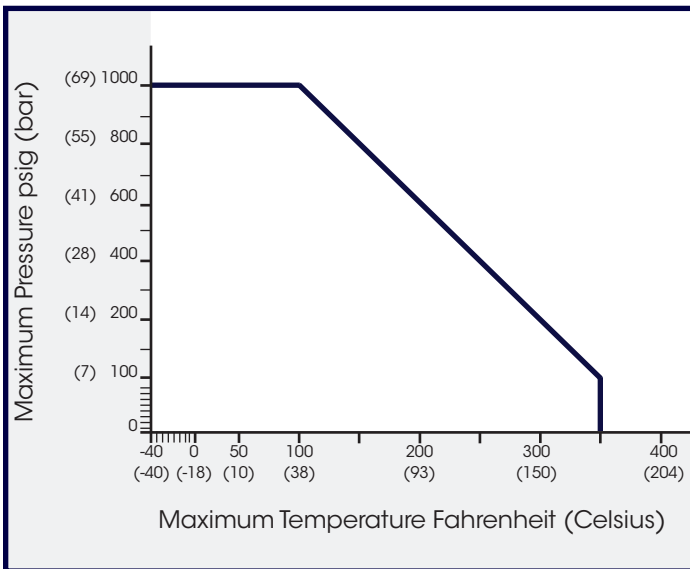
PRO-SPEC
PROCESS SPECIFIC

QUALITY FLOWS THROUGH US

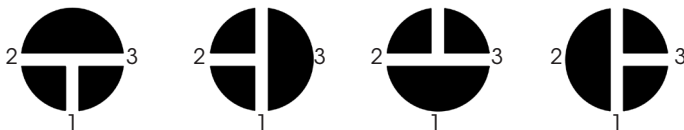
DIMENSIONS, WEIGHT, CV, TORQUE

Size	A-1		A-2		B		D		L		Weight		Cv		Torque*	
	in.	mm	in.	mm	in.	mm	in.	mm	in.	mm	lbs	kg	L-Port	T-Port	in-lbf	Nm
1/2"	3.43	87	1.76	45	0.63	16	5	127	2.8	71	2	1.0	8	14	74	8
3/4"	4.06	103	2.00	51	0.79	20	7	178	3.7	94	4	1.8	13	22	91	10
1"	4.65	118	2.27	58	1.00	25	7	178	4.0	102	6	2.7	21	30	221	25
1-1/2"	5.87	149	2.93	74	1.50	38	9	229	5.0	127	13	5.9	51	89	400	45
2"	6.77	172	3.37	86	1.97	50	11	279	5.5	140	18	8.2	91	158	1098	124

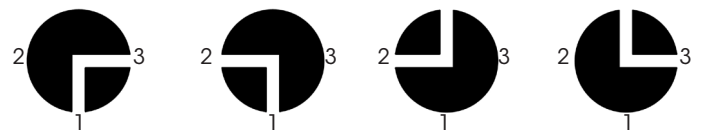
MZ9 - PRESSURE/TEMPERATURE CHART



T-PORT FLOW PATHS:



L-PORT FLOW PATHS:



HOW TO ORDER SVF SERIES MZ9 MULTI-PORTED BALL VALVES

Please refer to the next page for our comprehensive
How to Order Guide for Series MZ9 Ball Valves.

Ordering Code Sequence (Columns 1 thru 11)

1	2	3	4	5	6
SERIES	BODY	ENDS	BALL	STEM	SEAT MATERIAL
MZ90 = Series MZ9	6 = 316 Stainless Steel ASTM A351 CF8M	6 = 316 Stainless Steel ASTM A351 CF8M	6 = 316 Stainless Steel ASTM A351 CF8M	6 = 316 Stainless Steel ASTM A276-316	T= PTFE

7	8	9	10	11
BODY SEAL	END CONNECTIONS	VALVE SIZE	OPTIONS*	SPECIAL SERVICES*
T = PTFE	SEO = Screwed Ends (FNPT)	005 = 1/2" 007 = 3/4" 010 = 1" 015 = 1-1/2" 020 = 2"	00 = None T1 = T-PORT BALL (SIDE PORT) L1 = L-PORT BALL (SIDE PORT)	00 = None XC = Oxygen Cleaned

Order Example: (MZ906666TTSE0010T100) The Part Number will contain 20 digits.

Ordering Code Sequence >>

Sample Part Number >>

1	2	3	4	5	6	7	8	9	10	11
MZ90	6	6	6	6	T	T	SEO	010	T1	00
Valve Series	Body Material	End Material	Ball	Stem	Seat Material	Seat Material	End Connections	Valve Size	Options*	Special Services*

NOTE:

Manual Valves are supplied with lockable lever handles.

* Not all Options or Special Services available on all ball valves. Consult SVF for additional information.