

The SVF Series FS7 standard port ball valves are produced in 3" and 4" sizes and complete the three-piece fire safe series of ball valves. They satisfy a wide range of industrial applications for processing and handling flammable fluids.

SERIES FS7 DESIGN FEATURES

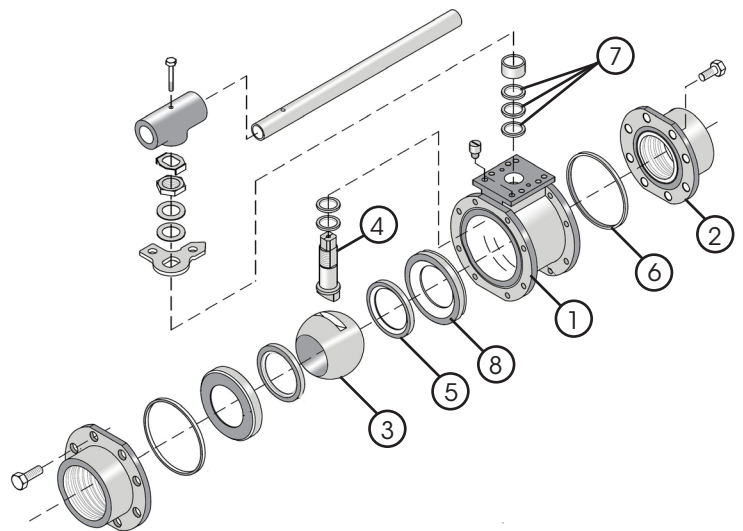
- ✓ Fire tested to API-607
- ✓ GRAFOIL® Body Seals
- ✓ Latch lock handle fully compatible with OSHA clamp for Lock-Out/Tag-Out
- ✓ Built-In ISO 5211 mounting pad for easy automation
- ✓ End connections include SE (Screwed Ends, FNPT), SW (Socket Weld) and BW (Butt Weld)



The Series FS7 Ball Valve is available with additional options. Contact SVF for more information.

MATERIALS OF CONSTRUCTION

ITEM	DESCRIPTION	MATERIAL SPECIFICATIONS (Additional options available)
1	Body	316 Stainless Steel (ASTM A351 CF8M) Carbon Steel (ASTM A216 WCB)
2	End Connection	316L Stainless Steel (ASTM A351 CF3M) Carbon Steel (ASTM A216 WCB)
3	Ball	316 Stainless Steel (ASTM A351 CF8M)
4	Stem	316 Stainless Steel (ASTM A276)
5	Seat	TFM1600™
6	Body Seal	GRAFOIL®, PTFE
7	Stem Seal	GRAFOIL®, TFM1600™, SupraLon™
8	Seat Retainer	316L Stainless Steel (ASTM A351 CF8M)



SPECIFICATION STANDARDS OF COMPLIANCE

SVF Series FS7 Ball Valves are available in designs that meet the following Industry Standards:

- ANSI
- ASME
- API
- NACE
- ASTM
- DIN
- ISO
- MSS

Contact SVF for specific applications

What do you need today?™

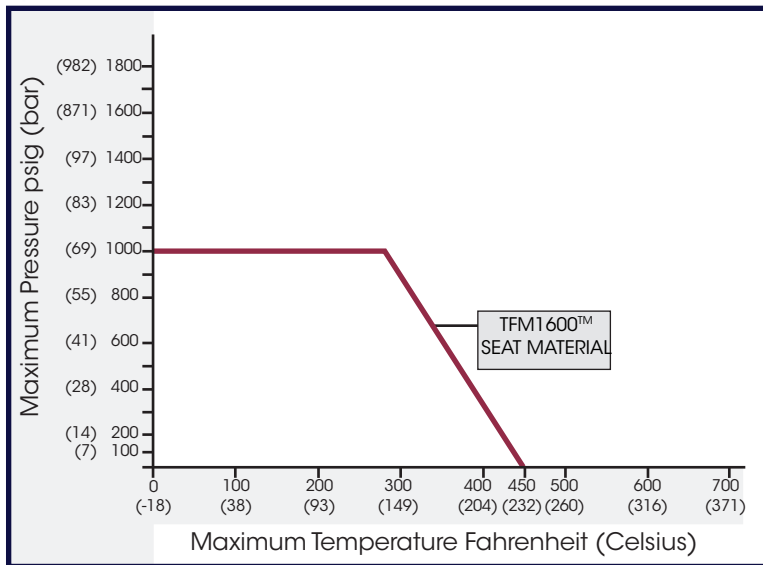
HIGH PURITY VALVES
CleanFLOW™

PRO-SPEC
PROCESS SPECIFIC

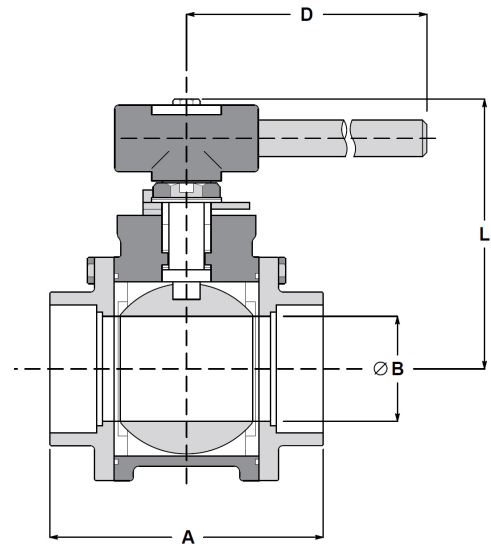
QUALITY FLOWS
THROUGH US

DIMENSIONS, WEIGHT, CV, TORQUE

Size	A		B		D		L		Weight		Cv	Torque*	
	in.	mm	in.	mm	in.	mm	in.	mm	lbs	kg		in-lbf	Nm
3"	8.0	204	2.95	74	13.50	343	6.6	168	36	16.3	580	987	112
4"	9.5	240	3.78	96	13.50	343	7.1	181	56	25.4	2400	1009	114

FS7 - PRESSURE/TEMPERATURE CHART


* At full differential pressure for clean fluids with TFM1600™ Seats


HOW TO ORDER SERIES FS7 BALL VALVES

Please refer to the next page for our comprehensive How to Order Guide for Series FS7 Ball Valves.

Ordering Code Sequence (Columns 1 thru 11)

1	2	3	4	5	6
SERIES	BODY	ENDS	BALL	STEM	SEAT MATERIAL
FS70 = Series FS7	4 = Carbon Steel ASTM A216 WCB	4 = Carbon Steel ASTM A216 WCB	6 = 316 Stainless Steel ASTM A351 CF8M	6 = 316 Stainless Steel ASTM A276-316	A = TFM1600™ (Standard)
	6 = 316 Stainless Steel ASTM A351 CF8M	6 = 316L Stainless Steel ASTM A351 CF3M			N = NRG (Carbon Filled TFE)

7	8	9	10	11
BODY SEAL	END CONNECTIONS	VALVE SIZE	OPTIONS*	SPECIAL SERVICES*
G = GRAFOIL (Standard)	SE0 = Screwed Ends (FNPT)	030 = 3"	00 = None	00 = None
T = PTFE	SW0 = Socket Weld Ends	040 = 4"	SX = ISO Cast Stem Extension	XC = Oxygen Cleaned SF = Degreased (Silicone Free) UH = Vent/Relief Hole ¹
	BW0 = Butt Weld Ends Schedule 40 wall (std.)		SC = Secondary Containment	AE = Oxygen Cleaned & Vent Hole ¹ AK = Degreased & Vent Hole ¹
	AAA = Screwed End X Socket Weld End		AG = ISO Cast Stem Extension & Locking Device	
	AAB = Screwed End X Butt Weld (Sch-40) End			
	AAD = Screwed End X Butt Weld (Sch-10) End			¹ Vent Hole is on the Upstream Side
	Butt Weld Ends: BWA = Schedule 5 BWB = Schedule 10 BWC = Schedule 80			

Order Example: (FS706666AGSE00030000) The Part Number will contain 20 digits.

Ordering Code Sequence >>	1	2	3	4	5	6	7	8	9	10	11
Sample Part Number >>	FS70	6	6	6	6	A	G	SE0	030	00	00
	Valve Series	Body Material	End Material	Ball	Stem	Seat Material	Seat Material	End Connections	Valve Size	Options*	Special Services*

¹ Vent Hole is on the Upstream Side

Manual Valves are supplied with locking device. Anti-Static Device is part of the standard assembly of these Valves.

*Not all Accessories/Options or Special Services available on all ball valves. Consult SVF for additional information.