

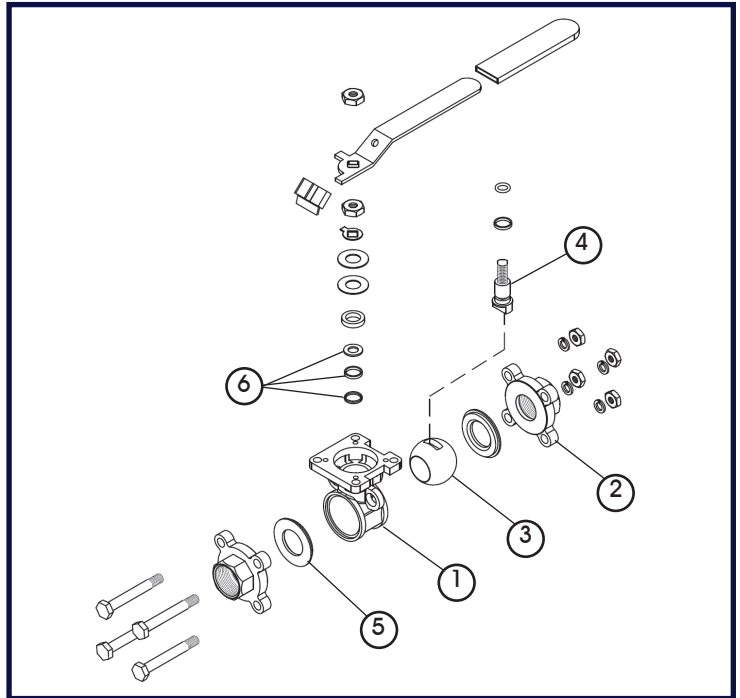


The Series EZ9 valves are designed for superior performance in general purpose, plant-wide applications. The direct-mount feature reduces the size and weight of traditional automated valves.

EZ9 features live-loaded stem seals to provide superior performance in high cycle applications.

SERIES EZ9 DESIGN FEATURES

- ✓ Designed & built for economical performance
- ✓ Pressure rated for 1,000 WOG
- ✓ Socket weld complies with ANSI B16.11
- ✓ Full Port flow path for maximum flow
- ✓ Anti-Static stem device, standard
- ✓ Built-In ISO 5211 direct mounting pad for easy automation
- ✓ End connections include SE (Screwed Ends, FNPT), SW (Socket Weld) and BW (Butt Weld)
- ✓ Weld ended carbon steel valves supplied with stainless steel bodies
- ✓ Three-piece "swing out" design offers easy access for in-line maintenance
- ✓ Blowout proof stem adds safety & reliability
- ✓ Lockable in the "Open" or "Closed" position
- ✓ Chevron (V-Ring) stem seals assures low friction and leak-tight performance



MATERIALS OF CONSTRUCTION

ITEM	DESCRIPTION	MATERIALS SPECIFICATIONS (Additional options available)
1	Body	316 Stainless Steel (ASTM A351 CF8M)
2	End Connector	316 Stainless Steel (ASTM A351 CF3M) Carbon Steel (ASTM A216 WCB)
3	Ball	316 Stainless Steel
4	Stem	316 Stainless Steel
5	Seat/Body Seal (One Piece)	TFM1600™
6	Stem Seal	RTFE

SERIES "EZ" FOR AUTOMATION

EZ9 valves feature direct mounting for pneumatic or electric automation. This feature reduces the cost and additional size and weight of valves requiring a mounting adapter kit. Refer to the "AV-Direct Mount Ball Valve Packages."



What do you need today?™

HIGH PURITY VALVES
CleanFLOW

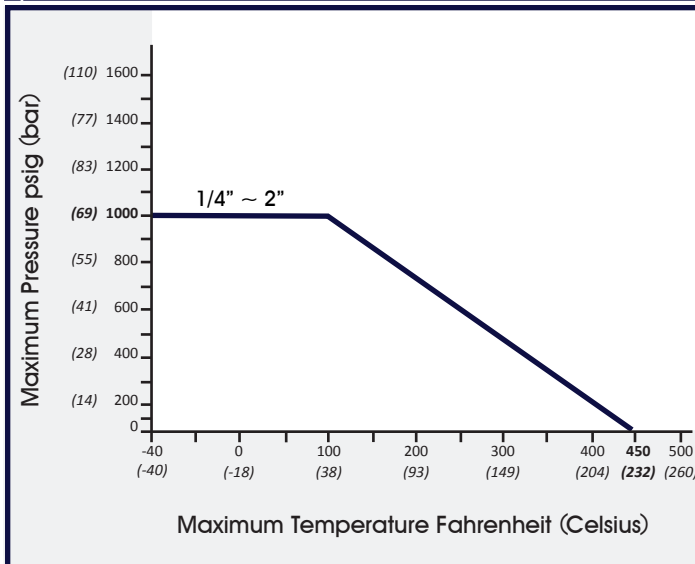
PRO-SPEC
PROCESS SPECIFIC

QUALITY FLOWS
THROUGH US

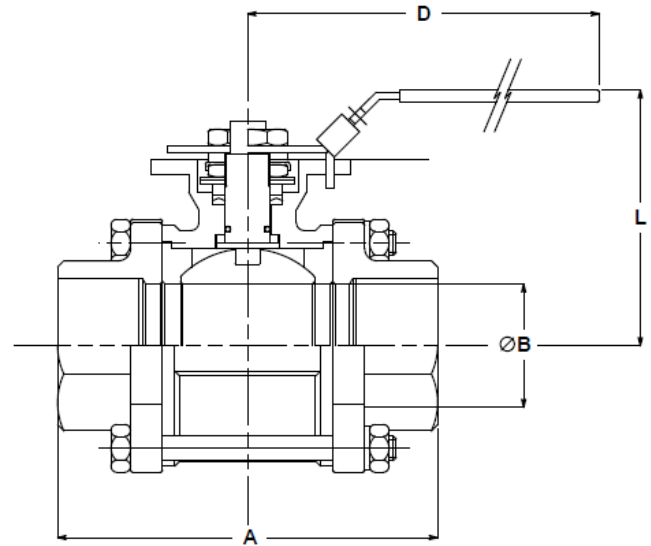
DIMENSIONS, WEIGHT, Cv, TORQUE

Size	A		B		D		L		Weight		Cv	Torque*	
	in.	mm	in.	mm	in.	mm	in.	mm	lbs	kg		in-lbf	Nm
1/4"	2.50	64	0.59	15	4.41	112	2.9	74	1.5	0.7	12	35	4
3/8"	2.50	64	0.59	15	4.41	112	2.9	74	1.5	0.7	12	35	4
1/2"	2.50	64	0.59	15	4.41	112	2.9	74	1.5	0.7	12	35	4
3/4"	2.85	72	0.79	20	4.41	112	3.2	81	1.8	0.8	32	50	6
1"	3.19	81	1.00	25	5.35	136	3.6	91	2.4	1.0	57	80	9
1-1/4"	3.72	94	1.25	32	7.28	185	3.9	99	3.6	1.6	80	120	14
1-1/2"	4.25	108	1.50	38	7.79	198	4.6	117	5.6	2.5	104	250	28
2"	4.78	121	2.00	51	7.79	198	4.9	124	8.2	3.7	240	300	34

EZ9 -PRESSURE/TEMPERATURE CHART



* At full differential pressure for clean fluids with TFM1600™ Seats



HOW TO ORDER SERIES EZ9 BALL VALVES

Please refer to the next page for our comprehensive
How to Order Guide for Series EZ9 Ball Valves.

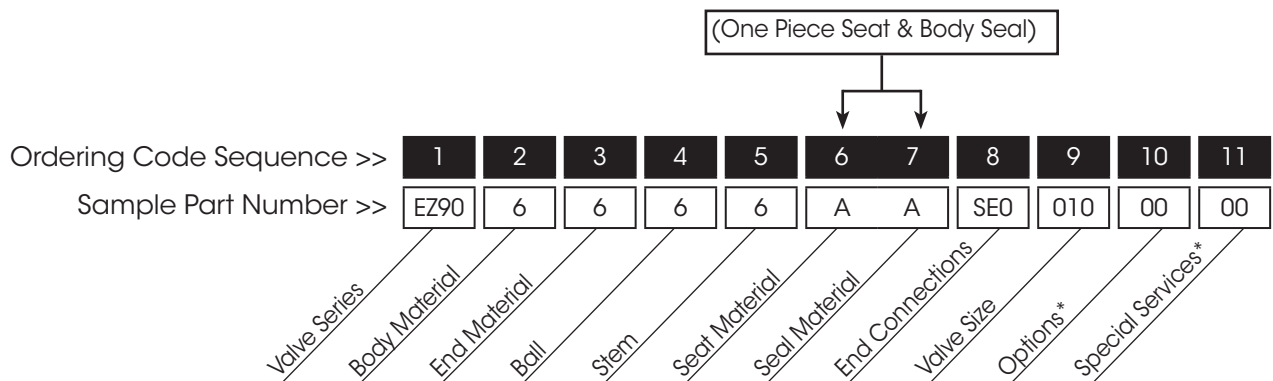


Ordering Code Sequence (Columns 1 thru 11)

1	2	3	4	5
SERIES	BODY	ENDS	BALL	STEM
EZ90 = Series EZ9	6 = 316 Stainless Steel ASTM A351 CF8M	4 = Carbon Steel ASTM A216 WCB 6 = 316L Stainless Steel ASTM A351 CF3M	6 = 316 Stainless Steel	6 = 316 Stainless Steel

6	7	8	9	10	11
SEAT & BODY SEAL	END CONNECTIONS	VALVE SIZE	OPTIONS*	SPECIAL SERVICES*	
AA = TFM1600™ (One Piece Seat & Body Seal)	SEO = Screwed Ends (FNPT) (Available ONLY on Stainless Steel Valves) SW0 = Socket Weld Ends BW0 = Butt Weld Ends Schedule 40 wall (Std)	002 = 1/4" 003 = 3/8" 005 = 1/2" 007 = 3/4" 010 = 1" 012 = 1-1/4" 015 = 1-1/2" 020 = 2"	00 = None	00 = None XC = Oxygen Cleaned SF = Degreased (Silicone Free) UH = Vent/Relief Hole (Upstream Side)	

Order Example: (EZ906666AASE00100000) The Part Number will contain 20 digits.



Manual Valves are supplied with lockable lever handles.

* Not all Options or Special Services available on all ball valves. Consult SVF for additional information.