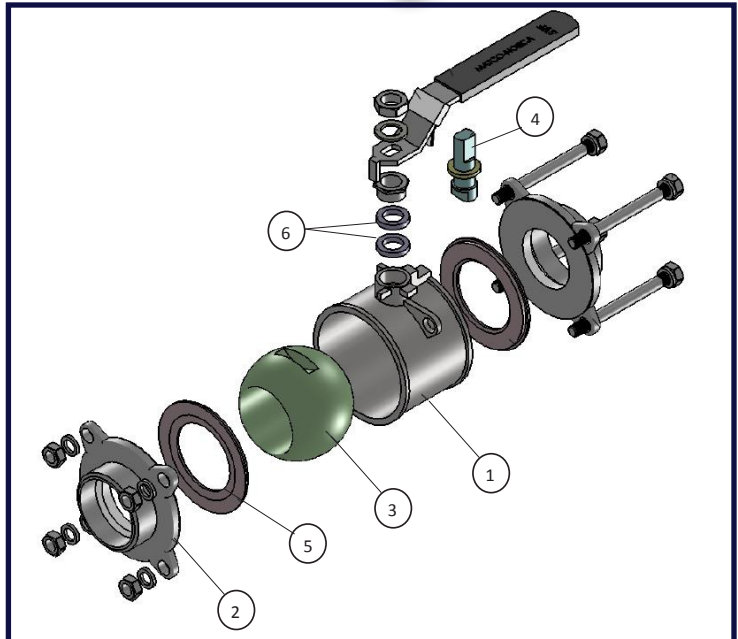
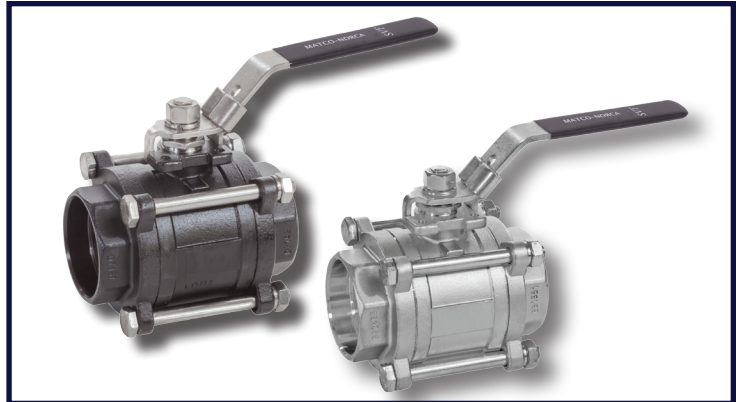


The SVF Series EZ6 full port ball valves were designed to provide a competitively priced, high performance product for general industrial applications. These valves feature a three-piece design for ease of maintenance and an integral locking device.

SERIES EZ6 DESIGN FEATURES

- ✓ Designed & built for economical performance
- ✓ Pressure rated for 1000 WOG
- ✓ Socket weld complies with ANSI B16.11
- ✓ Full Port flow path for maximum flow
- ✓ Three-piece "swing out" design offers easy access for in-line maintenance
- ✓ Blowout proof stem adds safety & reliability
- ✓ Lockable in the "Open" or "Closed" position



MATERIALS OF CONSTRUCTION

ITEM #	DESCRIPTION	MATERIALS SPECIFICATIONS
1	Body	316 Stainless Steel (ASTM A351-CF8M), Carbon Steel (ASTM A216-WCB)
2	End Connector	316 Stainless Steel (ASTM A351-CF8M), Carbon Steel (ASTM A216-WCB)
3	Ball	316 Stainless Steel (ASTM A351-CF8M)
4	Stem	316 Stainless Steel (ASTM A276-316)
5	Seat	RTFE
6	Stem Seal	PTFE

SERIES "EZ" FOR AUTOMATION

The SVF Series EZ6 product line is designed for manual operation.

For automated versions of our "EZ" line of ball valves, please refer to our Series EZ9B, which features direct-mounting of pneumatic and electric actuators.

Contact SVF for specific applications

What do you need today?™

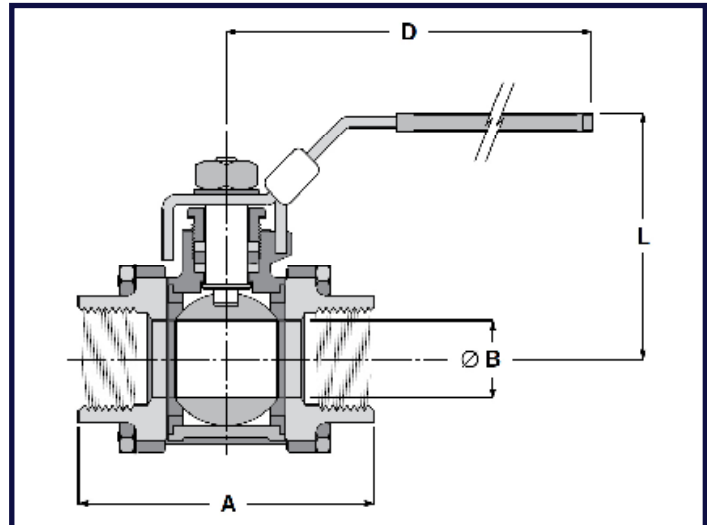
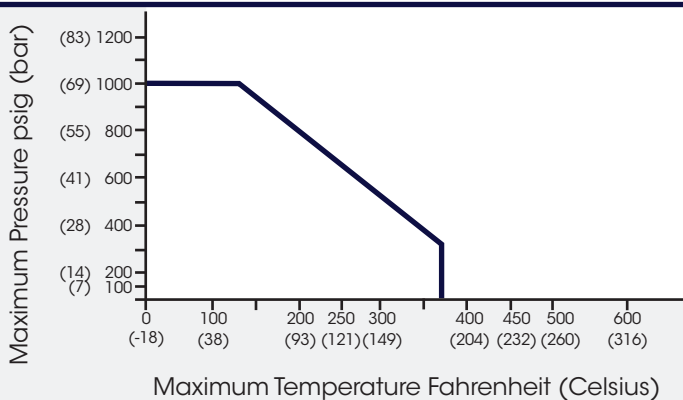
HIGH PURITY VALVES
CleanFLOW

PRO-SPEC
PROCESS SPECIFIC

QUALITY FLOWS
THROUGH US

DIMENSIONS, WEIGHT, CV

Size	A		B		D		L		Weight		Cv
	in.	mm	in.	mm	in.	mm	in.	mm	lbs	kg	
1/4"	1.81	46	0.46	12	3.22	82	1.85	47	0.5	0.22	6
3/8"	1.81	46	0.49	13	3.22	82	1.85	47	0.5	0.22	8
1/2"	2.16	55	0.59	15	3.42	87	2.09	53	1	0.45	11
3/4"	2.56	65	0.79	20	3.78	96	2.24	57	1	0.45	21
1"	2.83	72	0.98	25	4.76	121	2.68	68	2	0.90	34
1-1/4"	3.38	86	1.26	32	4.76	121	2.87	73	3	1.36	57
1-1/2"	3.97	101	1.50	38	6.06	154	3.22	82	4	1.81	80
2"	4.53	115	1.97	50	6.06	154	3.70	94	7	3.17	148
2-1/2"	5.90	150	2.48	63	8.66	220	4.68	119	13	5.90	265
3"	6.61	168	2.99	76	8.66	220	5.12	130	21	9.53	415
4"	8.07	205	3.78	96	11.97	304	5.78	147	39	17.69	780

EZ6 - PRESSURE/TEMPERATURE CHART

HOW TO ORDER SERIES EZ6 BALL VALVES

Please refer to the next page for our comprehensive
How to Order Guide for Series EZ6 Ball Valves.

EZ6 Stainless Steel with Screwed Ends (FNPT)

Size	Part #
1/4"	EZ630SSTH01
3/8"	EZ630SSTH02
1/2"	EZ630SSTH03
3/4"	EZ630SSTH04
1"	EZ630SSTH05
1-1/4"	EZ630SSTH06
1-1/2"	EZ630SSTH07
2"	EZ630SSTH08
2-1/2"	EZ630SSTH09
3"	EZ630SSTH10
4"	EZ630SSTH11

EZ6 Stainless Steel with Socket Weld Ends

Size	Part #
1/4"	EZ630SSSW01
3/8"	EZ630SSSW02
1/2"	EZ630SSSW03
3/4"	EZ630SSSW04
1"	EZ630SSSW05
1-1/4"	EZ630SSSW06
1-1/2"	EZ630SSSW07
2"	EZ630SSSW08
2-1/2"	EZ630SSSW09
3"	EZ630SSSW010
4"	EZ630SSSW11

EZ6 Carbon Steel with Screwed Ends (FNPT)

Size	Part #
1/4"	EZ630CSTH01
3/8"	EZ630CSTH02
1/2"	EZ630CSTH03
3/4"	EZ630CSTH04
1"	EZ630CSTH05
1-1/4"	EZ630CSTH06
1-1/2"	EZ630CSTH07
2"	EZ630CSTH08
2-1/2"	EZ630CSTH09
3"	EZ630CSTH10
4"	EZ630CSTH11

EZ6 Carbon Steel with Socket Weld Ends

Size	Part #
1/4"	EZ630CSSW01
3/8"	EZ630CSSW02
1/2"	EZ630CSSW03
3/4"	EZ630CSSW04
1"	EZ630CSSW05
1-1/4"	EZ630CSSW06
1-1/2"	EZ630CSSW07
2"	EZ630CSSW08
2-1/2"	EZ630CSSW09
3"	EZ630CSSW10
4"	EZ630CSSW11

Manual Valves are supplied with lockable lever handles.
 Consult SVF for additional information.