

The SVF Series BEV9 is part of our family of Direct-Mount automated valves and is designed for superior performance in general purpose, plant-wide applications. The actuated package is available with an SVF NEMA 4 Pilot Valve and a NEXUS-LS NEMA 4 Limit Switch.

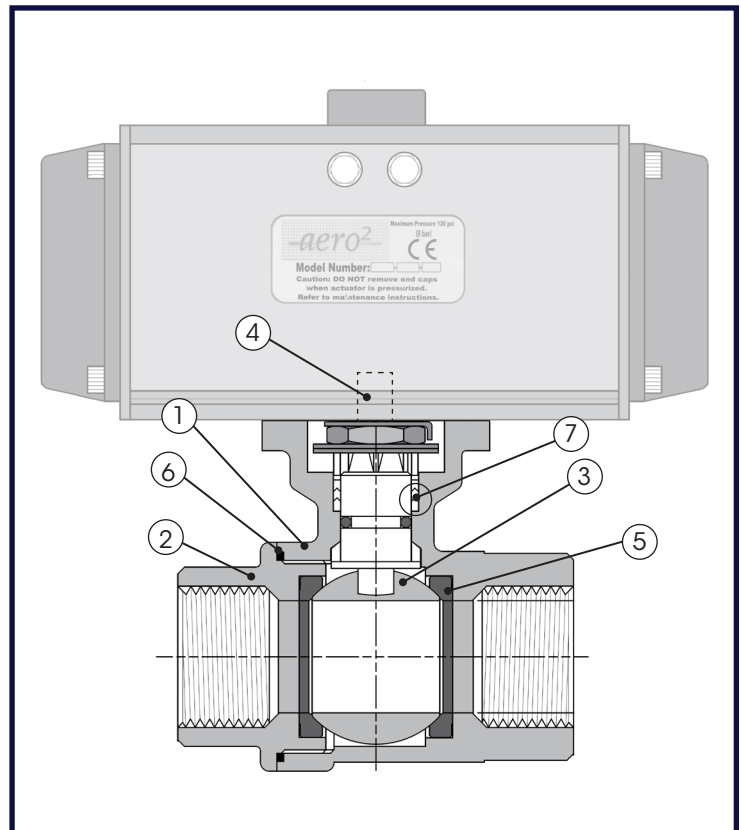
SERIES BEV9 VALVE DESIGN FEATURES

- ✓ 316 Stainless Steel body, ball and stem
- ✓ 316 Stainless Steel ends (FNPT)
- ✓ Designed & built for economical performance
- ✓ Pressure rated for 1000 WOG
- ✓ Full Port flow path for maximum flow
- ✓ Live-loaded stem seal design
- ✓ Blowout proof stem adds safety & reliability
- ✓ Fully automated package available with *aero²* actuators (Double Acting or Spring Return)



MATERIALS OF CONSTRUCTION

ITEM #	DESCRIPTION	MATERIALS SPECIFICATIONS
1	Body	316 Stainless Steel (ASTM A351 CF8M)
2	End Connector	316 Stainless Steel (ASTM A351 CF8M)
3	Ball	316 Stainless Steel (ASTM A351 CF8M)
4	Stem	316 Stainless Steel
5	Seat	TFM1600™
6	Body Seal	PTFE
7	Stem Seal	RTFE



What do you need today?™

HIGH PURITY VALVES
CleanFLOW™
CleanFLOWValves.net

PRO-SPEC
PROCESS SPECIFIC

QUALITY FLOWS THROUGH US

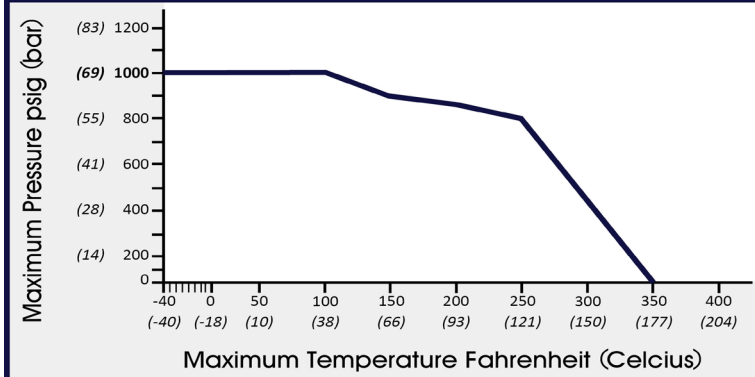
VALVE DIMENSIONS, Cv, TORQUE

Valve Size	A		B		Cv	Torque*	
	in.	mm	in.	mm		in-lbf	Nm
1/2"	2.57	65	1.45	37	37	62	7
3/4"	3.04	77	1.79	45	68	89	10
1"	3.49	89	2.12	54	110	133	15
1-1/2"	4.29	109	2.95	75	267	354	40
2"	4.93	125	3.35	85	485	398	45

aero² DIMENSIONS

aero ² Model	C		E		F	
	in.	mm	in.	mm	in.	mm
A2D-10	3.2	81	4.8	122	2.6	66
A2-20	3.6	91	5.8	147	2.8	71
A2-35	4.2	107	6.6	168	3.3	84
A2-50	4.7	119	7.3	185	3.7	94
A2-75	5.0	127	8.0	203	4.0	102
A2-110	5.4	137	10.4	264	4.3	109
A2-160	6.0	152.4	10.6	270	4.8	122

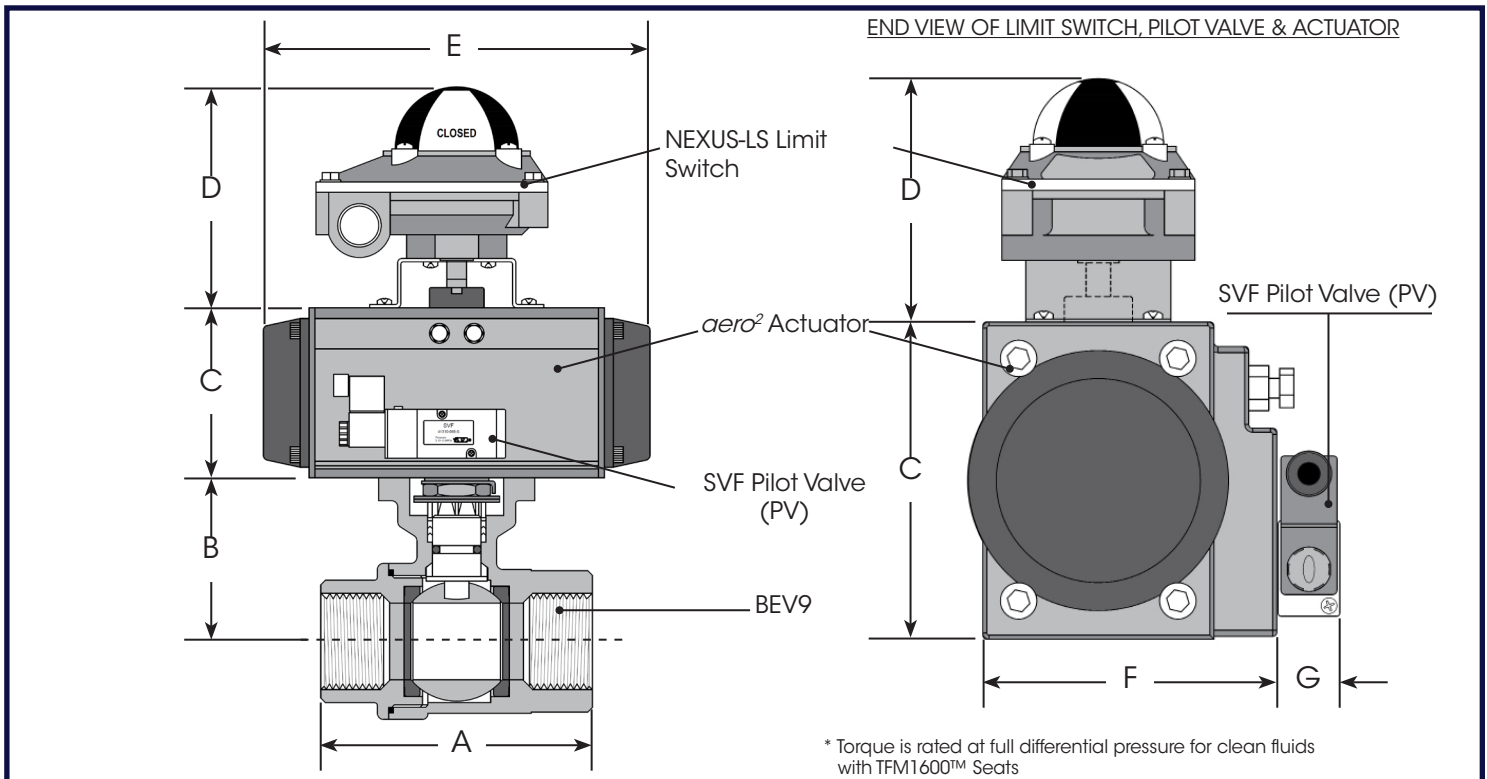
BEV9 PRESSURE/TEMPERATURE CHART



LIMIT SWITCH & PILOT VALVE DIMENSIONS

Limit Switch	in.	D mm	Rating
NEXUS-LS	4.5	114	NEMA 4

Pilot Valve	in.	G (Max.) mm
SVF PV (NEMA 4)	1.37	35



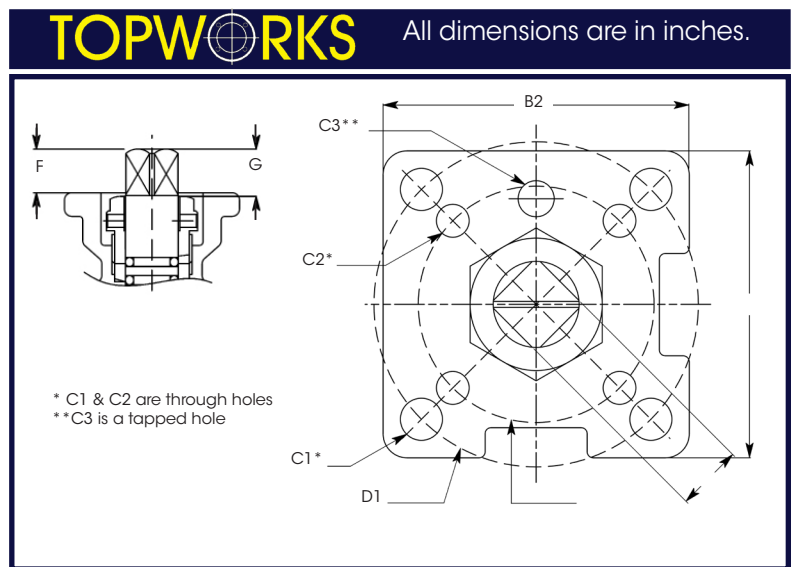
* Torque is rated at full differential pressure for clean fluids with TFM1600™ Seats

HOW TO ORDER SERIES BEV9 BALL VALVES

Actuator selection provides a minimum of 20% safety factor on Spring Return models and a 1.0 safety factor on Double Acting models

VALVE SERIES	aero ² ACTUATOR CODES				aero ² FAIL POSITION	PILOT VALVE 120VAC NEMA 4	LIMIT SWITCH	VALVE SIZE
	DOUBLE ACTING		SPRING RETURN					
	60 psig	80 psig	60 psig	80 psig				
BEV9	How to Order BEV9 <i>aero²</i> Assembly for 1/2" Valves							
	ANA	ANA	CAA	BDA	1 = Fail Close 2 = Fail Open	D = 110/120 VAC N = None	A = NEXUS-LS N = None	05= 1/2"
	How to Order BEV9 <i>aero²</i> Assembly for 3/4" Valves							
	BNA	ANA	CAA	CEA	1 = Fail Close 2 = Fail Open	D = 110/120 VAC N = None	A = NEXUS-LS N = None	07= 3/4"
	How to Order BEV9 <i>aero²</i> Assembly for 1" Valves							
	BNA	BNA	DAA	CEA	1 = Fail Close 2 = Fail Open	D = 110/120 VAC N = None	A = NEXUS-LS N = None	10= 1"
How to Order BEV9 <i>aero²</i> Assembly for 1-1/2" Valves								
DNA	CNA	GAA	FDA	1 = Fail Close 2 = Fail Open	D = 110/120 VAC N = None	A = NEXUS-LS N = None	15= 1-1/2"	
How to Order BEV9 <i>aero²</i> Assembly for 2" Valves								
ENA	DNA	GAA	FDA	1 = Fail Close 2 = Fail Open	D = 110/120 VAC N = None	A = NEXUS-LS N = None	20= 2"	
Order Example: (BEV9CAA1DA05) Example Description: BEV9 Direct Mount Stainless Steel Ball Valve with FNPT Ends, 60 psi Spring Return <i>aero²</i> Actuator, Fail Closed, 120VAC NEMA 4 Pilot Valve, NEXUS-LS (NEMA 4) Limit Switch, 1/2" size.								
BEV9	CAA				1	D	A	05

aero ² CODE REFERENCE		
CODE	DOUBLE ACTING	SPRING RETURN/SPRING QTY
ANA	A2D-10	-
BDA	-	A2S-20/11
BNA	A2D-20	-
CAA	-	A2S-35/8
CEA	-	A2S-35/12
CNA	A2D-35	-
DAA	-	A2S-50/8
DNA	A2D-50	-
ENA	A2D-75	-
FDA	-	A2S-110/11
GAA	-	A2S-160/8



VALVE SIZE	A1	B	B2	C1	C2	C3	D1	ISO 5211	D2	ISO 5211	F	G
1/2"	0.35	1.9	1.9	0.28	0.24	M5	1.97	F05	1.42	F03	0.33	0.37
3/4"	0.35	1.9	1.9	0.28	0.24	M5	1.97	F05	1.42	F03	0.33	0.37
1"	0.35	2.0	2.0	0.28	0.24	M5	1.97	F05	1.42	F03	0.45	0.41
1-1/2"	0.55	2.6	2.6	0.35	0.28	M5	2.76	F07	1.97	F05	0.55	0.61
2"	0.55	2.6	2.6	0.35	0.28	M5	2.76	F07	1.97	F05	0.55	0.61