

The SVF Series BEV full port ball valves are designed for general purpose performance in a wide variety of utility applications. The BEV is an economical, manually operated valve that meets industry requirements for performance and dependability.

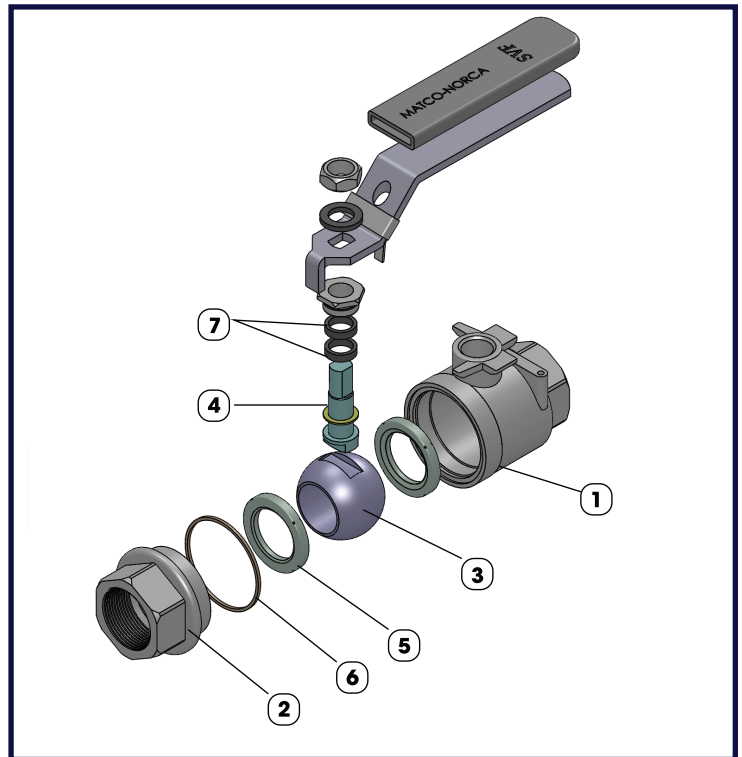
#### BEV DESIGN FEATURES

- ✓ 316 Stainless Steel body, ball and stem
- ✓ Pressure rated for 1000 WOG
- ✓ Full Port flow path for maximum flow
- ✓ Designed & built for economical performance
- ✓ Threaded end connectors
- ✓ Lightweight and economical
- ✓ Vinyl grip handle
- ✓ Blowout proof stem adds safety & reliability
- ✓ Lockable in the "Open" or "Closed" position



#### MATERIALS OF CONSTRUCTION

ITEM	DESCRIPTION	MATERIALS SPECIFICATIONS
1	Body	316 Stainless Steel (ASTM A351- CF8M)
2	End Connector	316 Stainless Steel (ASTM A351- CF8M)
3	Ball	316 Stainless Steel (ASTM A351- CF8M)
4	Stem	ASTM 316 Stainless Steel
5	Seat	RTFE
6	Body Seal	RTFE
7	Stem Seal	RTFE



*What do you need today?™*

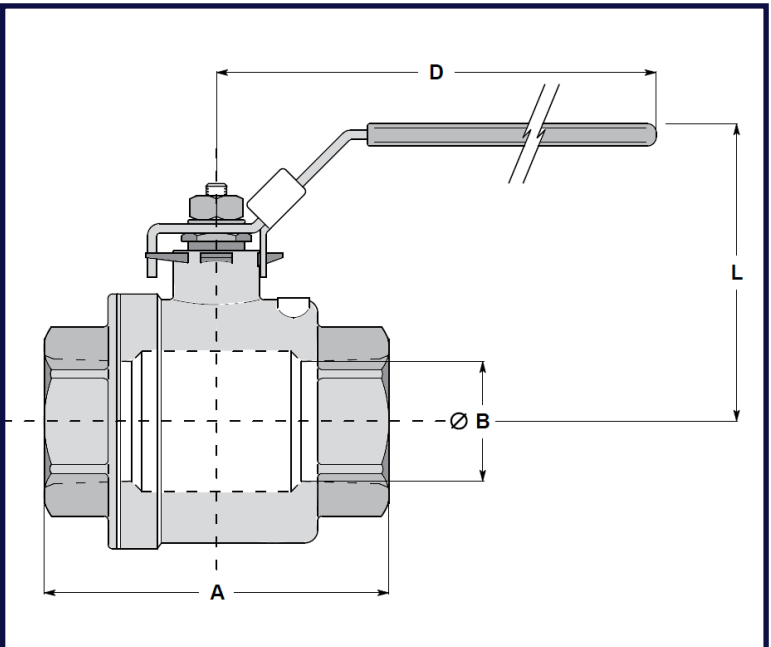
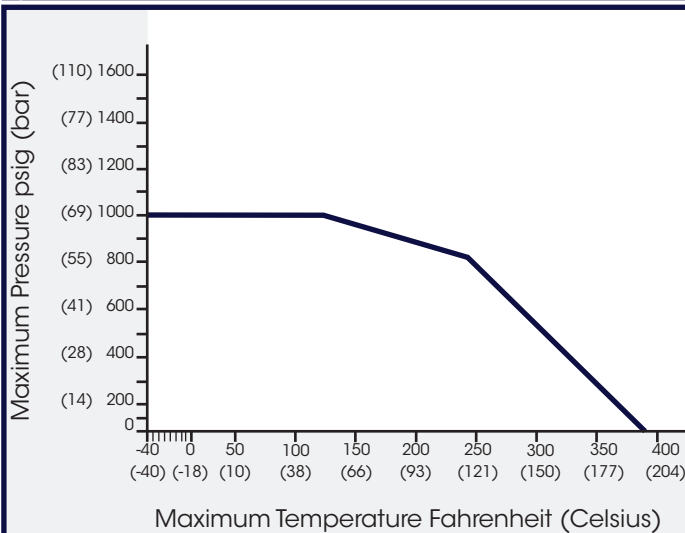
HIGH PURITY VALVES  
**CleanFLOW™**

**PRO-SPEC**  
PROCESS SPECIFIC

**QUALITY FLOWS THROUGH US**

**DIMENSIONS, WEIGHT, Cv**

Size	A		B		D		L		Weight		Cv
	in.	mm	in.	mm	in.	mm	in.	mm	lbs	kg	
1/4"	1.89	48	0.46	12	3.86	99	1.93	50	0.39	0.2	7
3/8"	1.89	48	0.49	13	3.86	99	1.93	50	0.39	0.2	8
1/2"	2.21	56	0.59	15	3.86	99	2.09	54	0.56	0.3	11
3/4"	2.56	65	0.79	20	4.73	121	2.48	63	0.87	0.4	21
1"	3.03	77	0.99	26	6.07	155	2.84	73	1.73	0.6	35
1-1/4"	3.55	90	1.26	33	6.07	155	3.05	78	2.22	1.0	57
1-1/2"	3.86	98	1.50	39	7.25	185	3.62	92	2.99	1.44	80
2"	4.77	121	1.97	50	7.25	185	3.98	102	5.16	2.3	150
2-1/2"	5.71	145	2.56	66	9.65	246	5.08	130	10.19	4.6	265
3"	6.54	166	2.88	74	9.65	246	5.48	140	15.45	7.0	415

**BEV - PRESSURE/TEMPERATURE CHART**

**HOW TO ORDER SERIES BEV BALL VALVES**

Size	Part #	Size	Part #	Size	Part #
1/4"	BEV20SSTH01M	1"	BEV20SSTH05M	2"	BEV20SSTH08M
3/8"	BEV20SSTH02M	1 1/4"	BEV20SSTH06M	2-1/2"	BEV20SSTH09M
1/2"	BEV20SSTH03M	1-1/2"	BEV20SSTH07M	3"	BEV20SSTH010M
3/4"	BEV20SSTH04M				