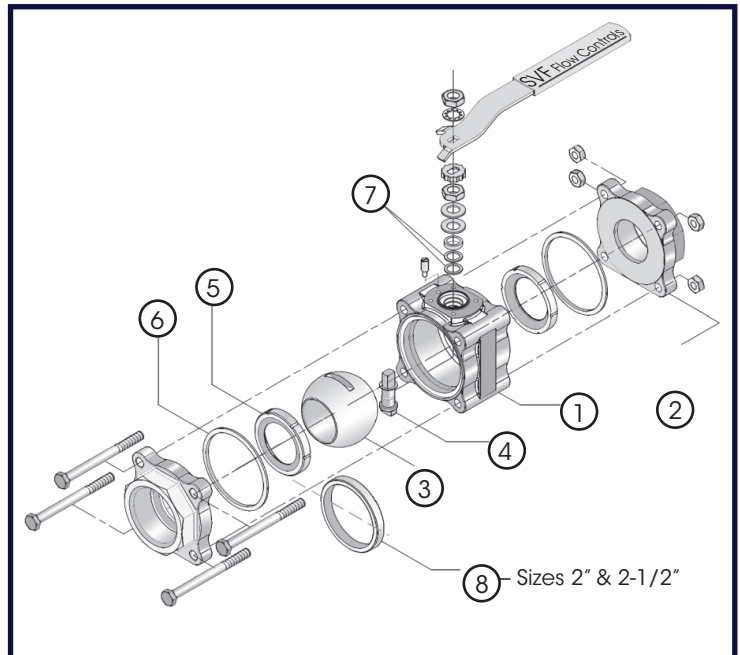


The SVF Series B8 Ball Valves feature a high performance design for use in critical, process-quality applications. These valves exceed the pressure & temperature ratings of traditional, general purpose ball valves.

#### SERIES B8 DESIGN FEATURES

- ✓ Full ported flow path in a high performance design for process-quality applications
- ✓ Encapsulated body seals to facilitate welding without disassembly
- ✓ Live-loaded stem packing ensures seal-tight pressure containment even under thermal cycling
- ✓ Three-piece "swing out" design offers easy access for in-line maintenance
- ✓ ISO 5211 mounting pad for easy actuation
- ✓ Standard seat material is TFM1600™
- ✓ Blowout proof stem adds safety & reliability
- ✓ Stainless steel valves have 316L ends
- ✓ Full range of options to suit specific requirements



#### MATERIALS OF CONSTRUCTION

ITEM	DESCRIPTION	MATERIALS SPECIFICATIONS
1	Body	316 Stainless Steel (ASTM A351 CF8M) Carbon Steel (ASTM A216 WCB)
2	End Connector	316L Stainless Steel (ASTM A351 CF3M) Carbon Steel (ASTM A216 WCB)
3	Ball	316 Stainless Steel (ASTM A351 CF8M)
4	Stem	316 Stainless Steel (ASTM A276) Stainless Steel 17-4 pH (ASTM A564 630)
5	Seat	TFM1600™, Delrin®, UHMWPE, PEEK
6	Body Seal	PTFE, Buna "N", GRAFOIL®, UHMWPE, Viton®, EPDM
7	Stem Seal	SupraLon™
8	Retainer Sizes 2" & 2-1/2"	316 Stainless Steel

#### SPECIFICATION STANDARDS OF COMPLIANCE

SVF Series B8 Ball Valves are available in designs that meet the following Industry Standards:

- ANSI
- ASME
- API
- DIN
- ISO
- MSS
- BPE
- NACE
- ASTM

Contact SVF for specific applications

*What do you need today?™*

**HIGH PURITY**  
**CleanFLOW**

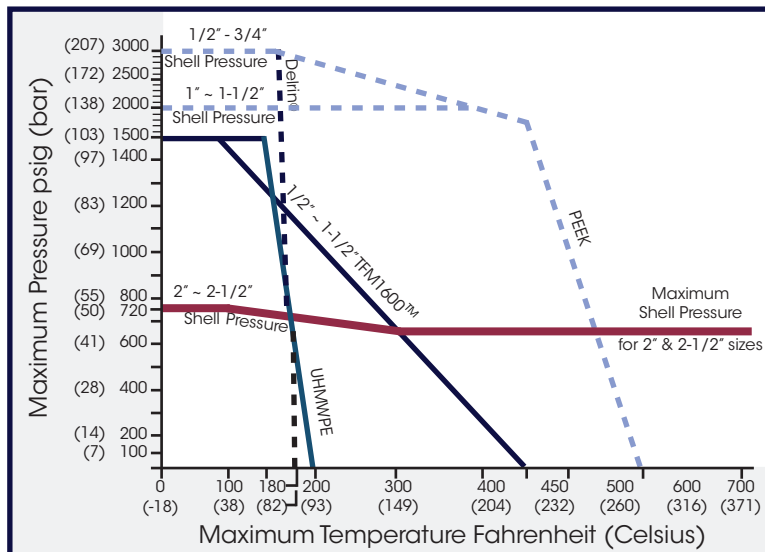
**PRO-SPEC**  
PROCESS SPECIFIC

**QUALITY FLOWS**  
THROUGH US

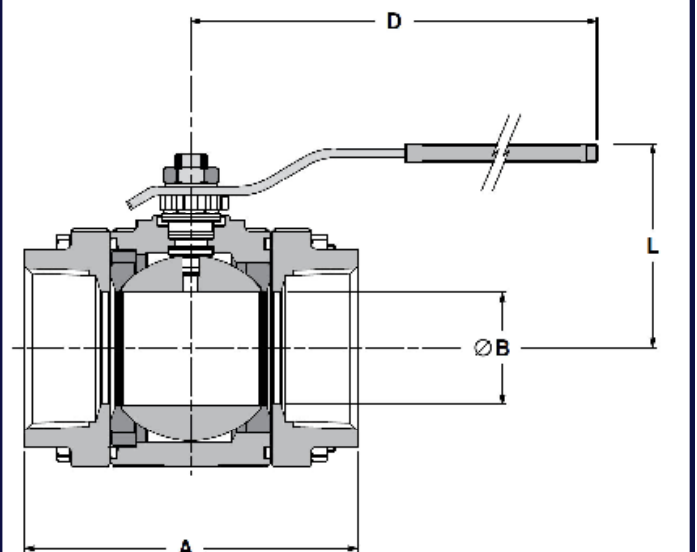
### DIMENSIONS, WEIGHT, Cv, TORQUE

Size	A		B		D		L		Weight		Cv	Torque**	
	in.	mm	in.	mm	in.	mm	in.	mm	lbs	kg		in-lbf	Nm
1/2"	2.81	71	0.56	14	5	127	1.9	48	2	0.9	12	45	5
3/4"	3.70	94	0.81	21	6	152	2.4	61	4	1.8	32	100	11
1"	4.25	108	1.00	25	6	152	2.6	66	5	2.3	57	130	15
1-1/4"	4.57	116	1.25	32	7	178	3.2	81	7	3.2	80	280	32
1-1/2"	5.04	128	1.50	38	7	178	3.3	84	11	5.0	104	360	41
2"	5.95	151	2.00	51	11	279	3.4	86	17	7.7	240	560	63
2-1/2"	6.68	170	2.50	64	14	356	7.3	185	30	13.6	320	1000	113

### B8 - PRESSURE/TEMPERATURE CHART



\* For 1/4" and 3/8" Full Port - See R8 Data Sheet  
 \*\* At full differential pressure for clean fluids with TFM1600™ Seats



### HOW TO ORDER SERIES B8 BALL VALVES

Please refer to the next page for our comprehensive  
 How to Order Guide for Series B8 Ball Valves.

Ordering Code Sequence (Columns 1 thru 11)

1	2	3	4	5	6
SERIES	BODY	ENDS	BALL	STEM	SEAT MATERIAL
B800	4 = Carbon Steel ASTM A216 WCB	4 = Carbon Steel ASTM A216 WCB	6 = 316 Stainless Steel ASTM A351 CF8M	6 = 316 Stainless Steel ASTM A276-316	A = TFM1600™ D = Delrin** (1/4" ~ 2")
	6 = 316 Stainless Steel ASTM A351 CF8M	6 = 316 Stainless Steel ASTM A351 CF3M		M = Stainless Steel 17-4 pH ASTM A564 630	U = UHMWPE K = PEEK (1/4" ~ 2") (Requires 17-4 Stem - Code M)
				NOTE: Size 2" B8 Valve requires 17-4 pH Stem (Code M)	

7	8	9	10	11
BODY SEAL	END CONNECTIONS	VALVE SIZE	OPTIONS*	SPECIAL SERVICES*
T = PTFE B = Buna "N" G = GRAFOIL U = UHMWPE V = Viton E = EPDM S = SupraLon	SE0 = Screwed Ends (FNPT) SW0 = Socket Weld Ends BW0 = Butt Weld Ends Schedule 40 wall (Std) AAA = Screwed End X Socket Weld End AAB = Screwed End X Butt Weld (Sch-40) End AAD = Screwed End X Butt Weld (Sch-10) End Butt Weld Ends: BWA = Schedule 5 BWB = Schedule 10 BWC = Schedule 80	002 = Refer to (Series R8) 003 = Refer to Series R8 005 = 1/2" 007 = 3/4" 010 = 1" 012 = 1-1/4" 015 = 1-1/2" 020 = 2" 025 = 2-1/2"	00 = None OH = Oval Handle LK = Locking Device SX = ISO Cast Stem Extension AD = Anti-Static Device SC = Secondary Containment AA = Oval Handle & Locking Device AB = Oval Handle & ISO Cast Stem Extension AC = Locking Device & Anti-Static Device AG = ISO Cast Stem Extension & Locking Device JA = Oval Handle, ISO Cast Stem Extension & Locking Device JB = Oval Handle, ISO Cast Stem Extension & Anti-Static Device JE = Locking Device, ISO Cast Stem Extension & Anti-Static Device	00 = None XC = Oxygen Cleaned SF = Degreased (Silicone Free) UH = Vent/Relief Hole <sup>1</sup> AS = Ammonia Service & Vent/Relief Hole <sup>1</sup> HC = High Cycle Stem Kit VV = Vacuum & Searching Gas Stem Kit AE = Oxygen Cleaned & Vent Hole <sup>1</sup> AK = Degreased & Vent Hole <sup>1</sup>

Order Example: (B8004466ATSE00050000) The Part Number will contain 20 digits.

Ordering Code Sequence >>

Sample Part Number >>

1	2	3	4	5	6	7	8	9	10	11
B800	4	4	6	6	A	T	SE0	005	00	00

Valve Series    Body Material    End Material    Ball    Stem    Seat Material    Seal Material    End Connections    Valve Size    Options\*    Special Services\*

<sup>1</sup> Vent Hole is on the Upstream Side

\* Not all Options or Special Services available on all ball valves. Consult SVF for additional information.

\*\* Delrin Seats cannot be used for Oxygen Service