



Distributed by:



Ph: 612-331-1776  
www.duncanco.com

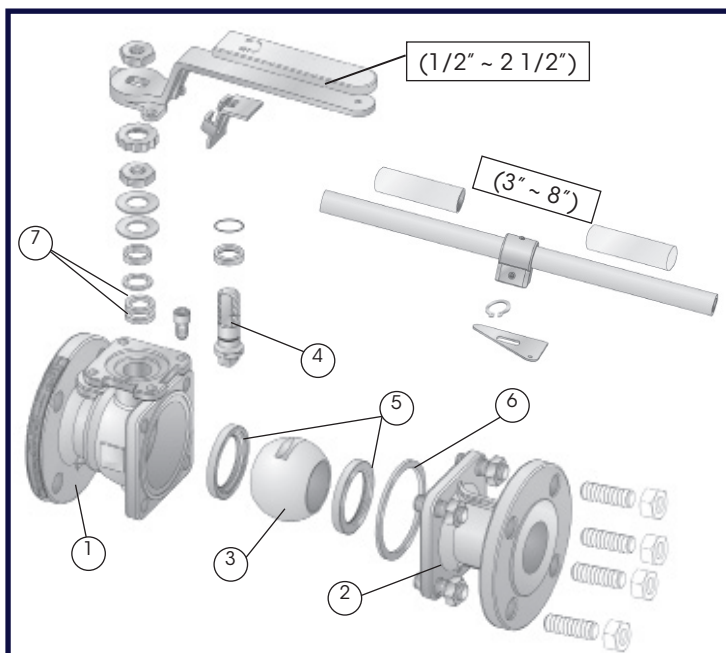
The SVF Series B42C Flanged Ball Valves are high performance, full ported valves certified to API-607 fire safe design, (with Grafoil Body Seals only) ISO Top Works for actuation, and a selection of seats and seals for a wide range of industrial applications.

### SERIES B42C DESIGN FEATURES

- ✓ Standard Fire Safe Certification to API 607 with Grafoil Body Seals only, Anti-Static
- ✓ Anti-Static Certified to API-608 to meet the additional design, operational and performance requirements of the Petroleum Refining, Petrochemical Processing and Chemical Processing Industries
- ✓ Standard NACE MRO175
- ✓ Built-In ISO 5211 direct mounting pad for easy actuation
- ✓ Chevron (V-Ring) stem seals (#7) assures low friction and leak tight performance (Available in PTFE Only)
- ✓ Seat materials available in SupraLon or TFM1600
- ✓ Standard locking handle in both open and closed positions
- ✓ Blowout proof stem adds safety & reliability
- ✓ Pressure balanced Relief Hole in ball slot

### MATERIALS OF CONSTRUCTION

ITEM #	DESCRIPTION	MATERIALS SPECIFICATIONS
1	Body	316 Stainless Steel (ASTM A351 CF8M), Carbon Steel (ASTM A216 WCB)
2	End Cap	316 Stainless Steel (ASTM A351 CF8M), Carbon Steel (ASTM A216 WCB)
3	Ball	316 Stainless Steel (ASTM A351 CF8M)
4	Stem	316 Stainless Steel (ASTM A276)
5	Seat	TFM1600, SupraLon
6	Body Seal	GRAFOIL®, PTFE, 316 Stainless Steel
7	Stem Seal	GRAFOIL®, PTFE



### SPECIFICATION STANDARDS OF COMPLIANCE

- Design - ASME B16.34, NACE MR0175
- Face to Face: ASME B16.10
- End Flange: ASME B16.5
- Wall Thickness: ASME B16.34
- Inspection & Testing: API 598
- Fire Safe: API 607, ISO 10497

*What do you need today?™*

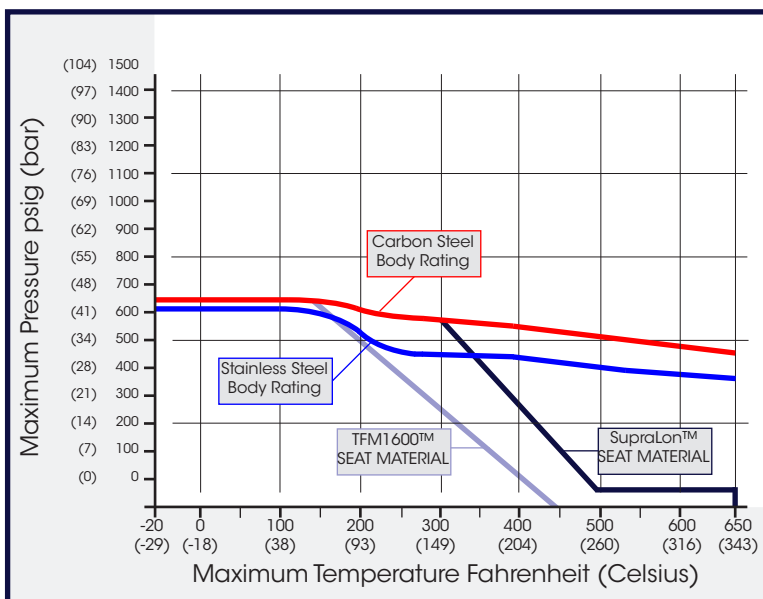




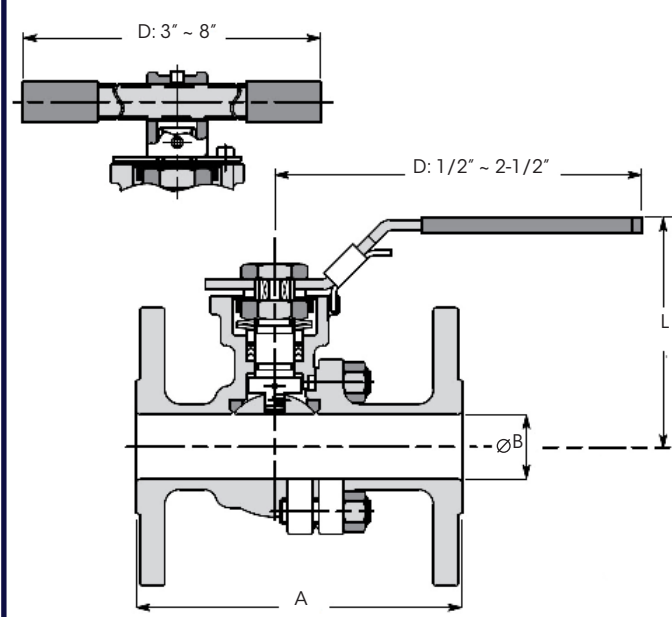
### DIMENSIONS, WEIGHT, CV, TORQUE

Size	A		B		D		L		Weight		Cv	Torque Tables*			
	in.	mm	in.	mm	in.	mm	in.	mm	lbs	kg		TFM1600 in-lbf	Nm	SupraLon in-lbf	Nm
1/2"	5.5	140	0.59	15	5.3	135	3.1	79	5	3	11	63	8	90	12
3/4"	6.0	152	0.79	20	5.3	135	3.5	89	8	4	26	76	9	109	13
1"	6.5	165	0.98	25	6.7	170	3.7	95	10	5	42	139	16	199	23
1-1/2"	7.5	190	1.50	38	7.9	200	4.3	110	19	9	120	303	35	433	50
2"	8.5	216	1.97	50	7.9	200	4.5	115	24	11	190	443	50	633	72
2-1/2"	9.5	241	2.52	64	11.8	300	5.9	150	40	18	450	683	78	976	112
3"	11.1	282	2.99	76	15.8	400	6.9	176	58	26	600	1138	129	1626	185
4"	12.0	305	3.94	100	15.8	400	8.0	204	92	42	1650	1708	193	2440	276
6"*	15.87	403	5.91	150	31.5	800	10.8	275	215	98	2600	4690	530	6097	689
8"*	19.76	502	7.87	200	31.5	800	12.9	328	277	126	4200	6726	760	8743	988

### B42C - PRESSURE/TEMPERATURE CHART



\* At full differential pressure.



### HOW TO ORDER SERIES B42C BALL VALVES

Please refer to the next page for our comprehensive How to Order Guide for Series B42C Ball Valves.



Ordering Code Sequence (Columns 1 thru 11)

1	2	3	4	5	6
SERIES	BODY	ENDS	BALL	STEM	SEAT MATERIAL
	4 = Carbon Steel ASTM A216 WCB  6 = 316 Stainless Steel ASTM A351 CF8M	4 = Carbon Steel ASTM A216 WCB  6 = 316 Stainless Steel ASTM A351 CF8M	6 = 316 Stainless Steel ASTM A351 CF8M	6 = 316 Stainless Steel SUS316	A = TFM1600  S = SupraLon

7	8	9	10	11
BODY SEAL	END CONNECTIONS	VALVE SIZE	OPTIONS*	SPECIAL SERVICES*
G = GRAFOIL (standard) T = PTFE	RF2 = 300# Flanged Ends (Raised Face)	005 = 1/2"  007 = 3/4"  010 = 1"  015 = 1 1/2"  020 = 2"  025 = 2 1/2"  030 = 3"  040 = 4"  060 = 6" <sup>1</sup>  080 = 8" <sup>1</sup>	00 = None  SX = ISO Cast Stem Extension  SJ = Steam Jacket (1 1/2" - 8 size valves) AP = Steam Jacket & ISO Cast Stem Extension	00 = None  XC = Oxygen Cleaned  SF = Degreased (Silicone Free)  UH = Vent/Relief Hole (Upstream Side)  AE = Oxygen Cleaned & Vent Hole (Upstream Side)  AK = Degreased & Vent Hole (Upstream Side)

Order Example: (B42C4466AGRF20200000)

The Part Number will contain 20 digits.

Ordering Code Sequence >>

Sample Part Number >>

1	2	3	4	5	6	7	8	9	10	11
B42C	4	4	6	6	A	G	RF2	020	00	00
Valve Series	Body Material	End Material	Ball	Stem	Seat Material	Seal Material	End Connections	Valve Size	Options*	Special Services*

Manual Valves are supplied with lockable lever handles.

Anti-Static Device is part of the standard assembly of these Valves.

\*Not all Accessories/Options or Special Services available on all ball valves. Consult SVF for additional information.