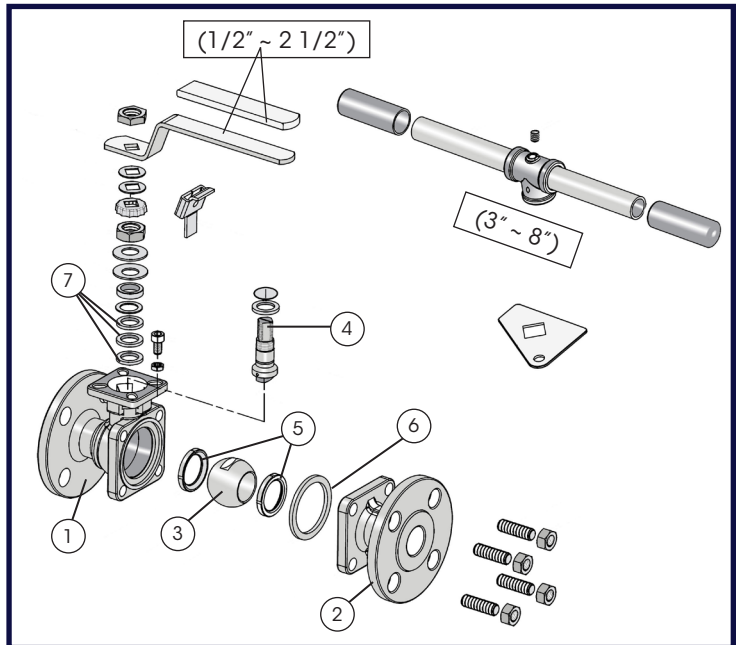


The SVF Series B41C (B41 Rev3) Flanged Ball Valves are high performance, full ported valves certified to API-607 fire safe design and API-608, ISO Top Works for direct mounting of actuators and a selection of seats and seals for a wide range of industrial applications.

SERIES B41C (B41 Rev3) DESIGN FEATURES

- ✓ Standard Fire Safe Certification to API 607, Anti-Static
- ✓ Certified to API-608 to meet the additional design, operational and performance requirements of the Petroleum Refining, Petrochemical Processing and Chemical Processing Industries
- ✓ Standard NACE MR 0175
- ✓ Built-In ISO 5211 direct mounting pad
- ✓ Chevron (V-Ring) stem seals (#7) assures low friction and leak tight performance (Available in PTFE Only)
- ✓ Standard seat material is TFM1600™. Optional SupraLon™ Seats for higher temperature, steam, and thermal fluid applications
- ✓ Latch lock handle fully compatible with OSHA clamp for Lock-Out/Tag-Out
- ✓ Live-loaded stem packing ensures seal-tight pressure containment even under thermal cycling



MATERIALS OF CONSTRUCTION

ITEM	DESCRIPTION	MATERIALS SPECIFICATIONS (Additional options available)
1	Body	316 Stainless Steel (ASTM A351 CF8M), Carbon Steel (ASTM A216 WCB)
2	End Cap	316 Stainless Steel (ASTM A351 CF8M), Carbon Steel (ASTM A216 WCB)
3	Ball	316 Stainless Steel (ASTM A351 CF8M)
4	Stem	SUS 316
5	Seat	TFM1600™, SupraLon™
6	Body Seal	316 Stainless Steel + GRAFOIL®, PTFE
7	Stem Seal	GRAFOIL® or PTFE (Both with SupraLon™ Thrust Washer)

SPECIFICATION STANDARDS OF COMPLIANCE

- Design - ASME B16.34, NACE MR 0175
- Face to Face: ASME B16.10
- End Flange: ASME B16.5
- Wall Thickness: ASME B16.34
- Inspection & Testing: API 598, and optional API 6D
- Fire Safe: API 607, ISO 10497

What do you need today?™

HIGH PURITY VALVES
CleanFLOW

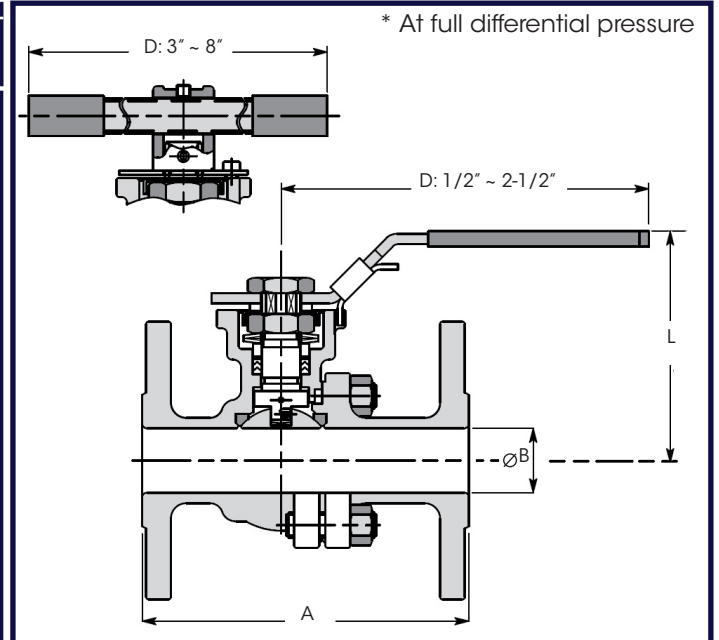
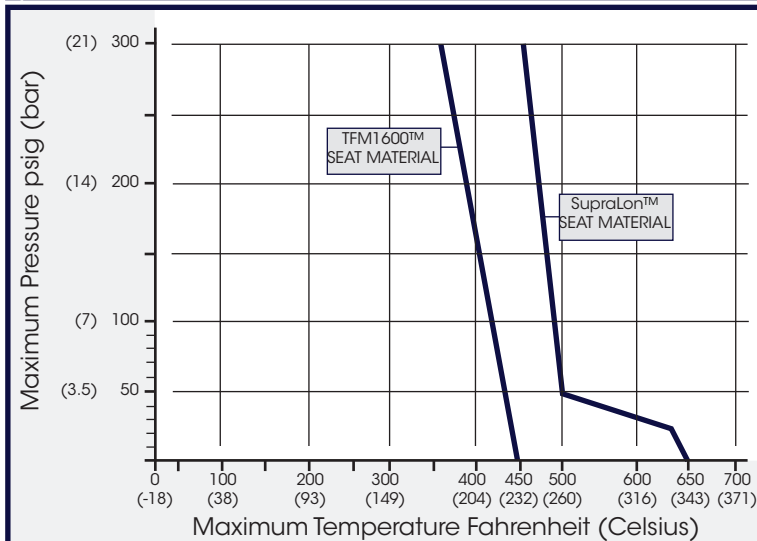
PRO-SPEC
PROCESS SPECIFIC

**QUALITY FLOWS
THROUGH US**

DIMENSIONS, WEIGHT, Cv, TORQUE

Torque Tables*

Size	A		B		D		L		Weight		Cv	TFM1600™		SupraLon™	
	in.	mm	in.	mm	in.	mm	in.	mm	lbs	kg		in-lbf	Nm	in-lbf	Nm
1/2"	4.25	108	0.59	15	5.70	145	3.07	78	4	1.8	25	72	8	91	10
3/4"	4.62	117	0.79	20	5.70	145	3.31	84	5	2.2	45	81	9	98	11
1"	5.00	127	0.98	25	6.90	175	3.52	89	6	2.7	85	130	15	172	19
1-1/2"	6.50	165	1.50	38	7.50	190	4.21	107	13	5.9	200	299	34	368	42
2"	7.00	178	1.97	50	7.50	190	4.41	112	24	10.9	320	371	42	460	52
2-1/2"	7.50	190	2.48	63	10.45	265	5.91	150	30	13.6	450	598	68	728	82
3"	8.00	203	2.99	76	11.80	300	6.30	160	38	17.4	600	988	112	1209	137
4"	9.00	229	3.94	100	15.75	400	8.03	204	69	31.5	1650	1508	171	1846	209
6"	15.50	394	5.91	150	31.50	800	10.85	275	161	73.6	2600	4160	470	5200	588
8"	18.00	457	7.87	200	31.50	800	11.00	279	277	126.6	4200	6500	735	8060	911

B41C - PRESSURE/TEMPERATURE CHART

HOW TO ORDER SERIES B41C (B41 Rev3) BALL VALVES

Please refer to the next page for our comprehensive How to Order Guide for Series B41C (B41 Rev3) Ball Valves.

Ordering Code Sequence (Columns 1 thru 11)

1	2	3	4	5	6
SERIES	BODY	ENDS	BALL	STEM	SEAT MATERIAL
B41C = B41Rev3	4 = Carbon Steel ASTM A216 WCB	4 = Carbon Steel ASTM A216 WCB	6 = 316 Stainless Steel ASTM A351 CF8M	6 = 316 Stainless Steel SUS316	A = TFM1600™ (Standard)
	6 = 316 Stainless Steel ASTM A351 CF8M	6 = 316 Stainless Steel ASTM A351 CF8M			S = SupraLon
7	8	9	10	11	
BODY SEAL	END CONNECTIONS	VALVE SIZE	OPTIONS*	SPECIAL SERVICES*	
G = GRAFOIL (Standard) T = PTFE	RF1 = 150# Flanged Ends (Raised Face)	005 = 1/2" 007 = 3/4" 010 = 1" 015 = 1-1/2" 020 = 2" 025 = 2-1/2" 030 = 3" 040 = 4" 060 = 6" 080 = 8"	00 = None SX = ISO Cast Stem Extension SJ = Steam Jacket AP = Steam Jacket & ISO Cast Stem Extension JV = Steam Jacket, ISO Stem Extension & Spring Return Handle	00 = None XC = Oxygen Cleaned SF = Degreased (Silicone Free) UH = Vent/Relief Hole (Upstream Side) AS = Ammonia Service AE = Oxygen Cleaned & Vent Hole (Upstream Side) AK = Degreased & Vent Hole (Upstream Side)	

Order Example: (B41C4466AGRF10050000)

The Part Number will contain 20 digits.

Ordering Code Sequence >>

Sample Part Number >>

1	2	3	4	5	6	7	8	9	10	11
B41C	4	4	6	6	A	G	RF1	005	00	00
Valve Series	Body Material	End Material	Ball	Stem	Seat Material	Seat Material	End Connections	Valve Size	Options*	Special Services*

Manual Valves are supplied with lockable lever handles.
Anti-Static Device is part of the standard assembly of these Valves.
Not all Accessories/Options or Special Services available on all ball valves.