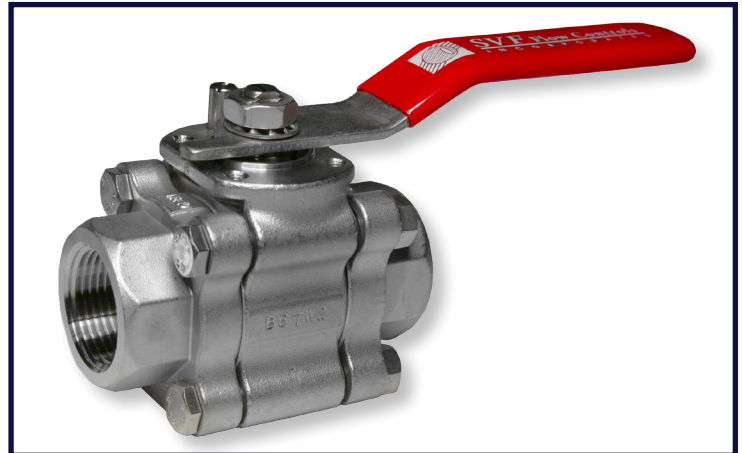


The SVF Series N8/BN8, three-piece ball valves represent the next generation in design and performance for Steam and Thermal Fluid applications. These process-quality, high performance valves have been engineered to meet all of the industry standards for quality and performance. The feature rich design adds safety, reliability and superior performance to any process control system.

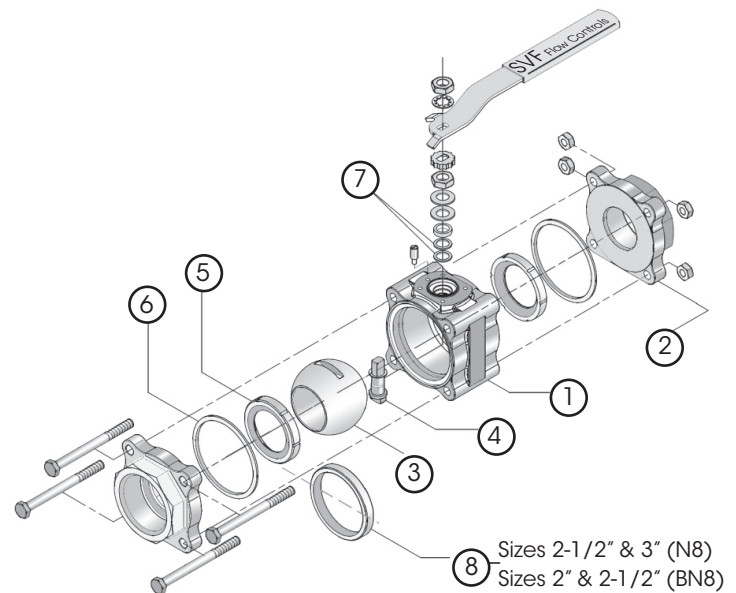
SERIES N8/BN8 DESIGN FEATURES

- ✓ High performance design for industrial steam and thermal fluid applications
- ✓ Encapsulated body seals to facilitate welding without disassembly
- ✓ SupraLon™ seats are specifically designed for high temperature, steam and thermal fluids
- ✓ Live-loaded stem packing ensures seal-tight pressure containment even under thermal cycling
- ✓ Three-piece "swing out" design offers easy access for in-line maintenance
- ✓ ISO 5211 mounting pad for easy actuation
- ✓ Blowout proof stem adds safety & reliability
- ✓ Stainless steel valves have 316L ends
- ✓ Full range of options to suit specific requirements



MATERIALS OF CONSTRUCTION

ITEM	DESCRIPTION	MATERIALS SPECIFICATIONS (Additional options available)
1	Body	316 Stainless Steel (ASTM A351- CF8M) Carbon Steel (ASTM A216 - WCB)
2	End Connector	316L Stainless Steel (ASTM A351- CF3M) Carbon Steel (ASTM A216 - WCB)
3	Ball	316 Stainless Steel (ASTM A351- CF8M)
4	Stem	316 Stainless Steel (ASTM A276)
5	Seat	SupraLon™
6	Body Seal	SupraLon™
7	Stem Seal	SupraLon™
8	Retainer	316 Stainless Steel NOTE: Sizes 2-1/2" & 3" (N8) Sizes 2" & 2-1/2" (BN8)



SVF "Therma-Safe™"

The SVF "Therma-Safe™" is a rugged and modular extension device that provides manual access to valves installed in insulated piping systems while providing a safe operating distance for valves used in high temperature service. The modular design allows this unit to be fitted directly to the ISO mounting pad found on SVF ball valves.



What do you need today?™

HIGH PURITY
CleanFLOW®

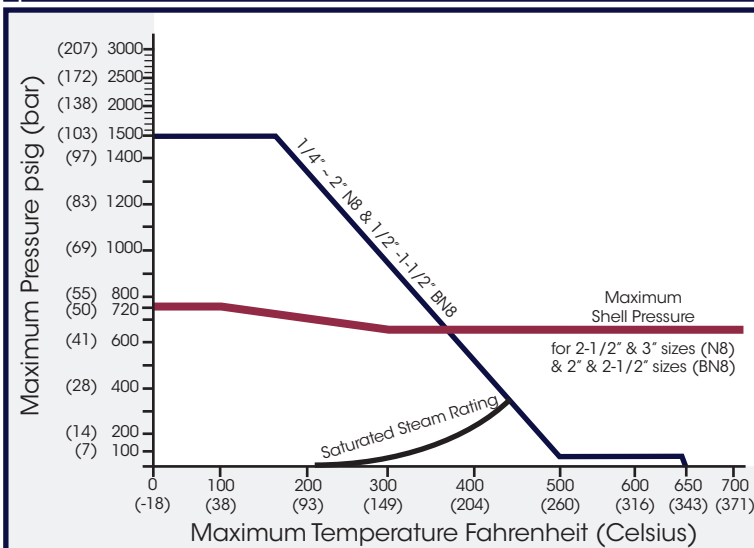
PRO-SPEC
PROCESS SPECIFIC

QUALITY FLOWS
THROUGH US

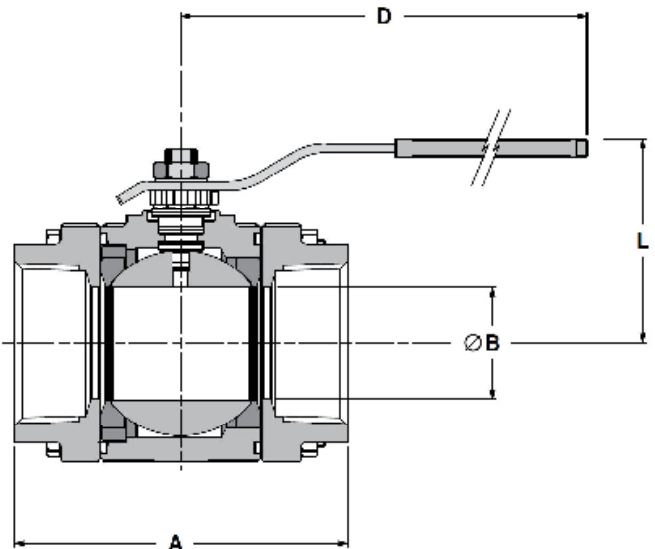
DIMENSIONS, WEIGHT, CV, TORQUE: N8= Standard Port, BN8= Full Port

Size		A		B		D		L		Weight		Cv	Torque**	
N8	BN8	in.	mm	in.	mm	in.	mm	in.	mm	lbs	kg		in-lbf	Nm
1/4" *	-	2.60	66	0.44	11	5	127	1.8	45	2	0.9	3	50	6
3/8" *	-	2.60	66	0.44	11	5	127	1.8	45	2	0.9	5	50	6
1/2"	-	2.60	66	0.44	11	5	127	1.8	45	2	0.9	8	50	6
3/4"	1/2"	2.81	71	0.56	14	5	127	1.9	48	2	0.9	12	50	6
1"	3/4"	3.70	94	0.81	20	6	152	2.4	61	4	1.8	32	150	17
1-1/4"	1"	4.25	106	1.00	25	6	152	2.6	66	5	2.2	57	175	20
1-1/2"	1-1/4"	4.57	114	1.25	32	7	178	3.2	81	7	3.2	80	450	51
2"	1-1/2"	5.04	128	1.50	38	7	178	3.3	84	11	5.0	104	600	68
2-1/2"	2"	5.95	151	2.00	51	11	279	3.4	86	17	7.7	240	925	105
3"	2-1/2"	6.68	170	2.50	63	14	355	7.3	185	30	13.6	320	1500	170

N8/BN8 - PRESSURE/TEMPERATURE CHART



* 1/4" and 3/8" N8 valves are Full Port
** At full differential pressure for clean fluids with SupraLon™ Seats



HOW TO ORDER SERIES N8/BN8 BALL VALVES

Please refer to the next page for our comprehensive
How to Order Guide for Series N8/BN8 Ball Valves.

Ordering Code Sequence for N8 Series Ball Valves (Columns 1 thru 11)

1	2	3	4	5	6
SERIES	BODY	ENDS	BALL	STEM	SEAT MATERIAL
N800	6 = 316 Stainless Steel ASTM A351 - CF8M 4 = Carbon Steel ASTM A216 - WCB	6 = 316 Stainless Steel ASTM A351 - CF3M 4 = Carbon Steel ASTM A216 - WCB	6 = 316 Stainless Steel ASTM A351 - CF8M	6 = 316 Stainless Steel ASTM A276 - 316 <div style="border: 1px solid black; padding: 2px; width: fit-content;">NOTE: Size 2-1/2" N8 Valve requires 17-4 pH ASTM A564 630 Stem (Use Code M)</div>	S = SupraLon

7	8	9	10	11
BODY SEAL	END CONNECTIONS	VALVE SIZE	OPTIONS*	SPECIAL SERVICES*
S = SupraLon	SEO = Threaded Ends (FNPT) SW0 = Socket Weld Ends BW0 = Butt Weld Ends Schedule 40 wall (Standard) AAA = Threaded End X Socket Weld End AAB = Threaded End X Butt Weld (Sch-40) End AAD = Threaded End X Butt Weld (Sch-10) End	002 = 1/4" (Full Port) 003 = 3/8" (Full Port) 005 = 1/2" 007 = 3/4" 010 = 1" 012 = 1-1/4" 015 = 1-1/2" 020 = 2" 025 = 2-1/2" 030 = 3"	00 = None OH = Oval Handle LK = Locking Device SX = ISO Cast Stem Extension AD = Anti-Static Device AA = Oval Handle & Locking Device AB = Oval Handle & ISO Cast Stem Extension AG = ISO Cast Stem Extension & Locking Device JA = Oval Handle, ISO Cast Stem Extension & Locking Device	00 = None UH = Vent/Relief Hole ¹ HC = High Cycle Stem Kit

Order Example: (N8006666SSSE00050000) The Part Number will contain 20 digits.

Ordering Code Sequence >>

Sample Part Number >>

1	2	3	4	5	6	7	8	9	10	11
N800	6	6	6	6	S	S	SEO	050	00	00
Valve Series	Body Material	End Material	Ball	Stem	Seat Material	Seat Material	End Connections	Valve Size	Options*	Special Services*

¹ Vent Hole is on the Upstream Side

* Not all Options or Special Services available on all ball valves. Consult SVF for additional information.

Ordering Code Sequence for BN8 Series Ball Valves (Columns 1 thru 11)

1	2	3	4	5	6
SERIES	BODY	ENDS	BALL	STEM	SEAT MATERIAL
BN80	6 = 316 Stainless Steel ASTM A351- CF8M 4 = Carbon Steel ASTM A216 - WCB	6 = 316 Stainless Steel ASTM A351- CF3M 4 = Carbon Steel ASTM A216 - WCB	6 = 316 Stainless Steel ASTM A351- CF8M	6 = 316 Stainless Steel ASTM A276 - 316 NOTE: Size 2" BN8 Valve requires 17-4 pH ASTM A564 630 Stem (Use Code M)	S = SupraLon
7	8	9	10	11	
BODY SEAL	END CONNECTIONS	VALVE SIZE	OPTIONS*	SPECIAL SERVICES*	
S = SupraLon	SEO = Threaded Ends (FNPT) SW0 = Socket Weld Ends BW0 = Butt Weld Ends Schedule 40 wall (Standard) AAA = Threaded End X Socket Weld End AAB = Threaded End X Butt Weld (Sch-40) End AAD = Threaded End X Butt Weld (Sch-10) End	002 = Refer to Series "N8" 003 = Refer to Series "N8" 005 = 1/2" 007 = 3/4" 010 = 1" 012 = 1-1/4" 015 = 1-1/2" 020 = 2" 025 = 2-1/2"	00 = None OH = Oval Handle LK = Locking Device SX = ISO Cast Stem Extension AD = Anti-Static Device AA = Oval Handle & Locking Device AB = Oval Handle & ISO Cast Stem Extension AG = ISO Cast Stem Extension & Locking Device JA = Oval Handle, ISO Cast Stem Extension & Locking Device	00 = None UH = Vent/Relief Hole ¹ HC = High Cycle Stem Kit	

Order Example: (BN806666SSSE00050000) The Part Number will contain 20 digits.

Ordering Code Sequence >>

Sample Part Number >>

1	2	3	4	5	6	7	8	9	10	11
BN80	6	6	6	6	S	S	SEO	005	00	00
Valve Series	Body Material	End Material	Ball	Stem	Seat Material	Seal Material	End Connections	Valve Size	Options*	Special Services*

¹ Vent Hole is on the Upstream Side

* Not all Options or Special Services available on all ball valves. Consult SVF for additional information.