

Features

- Reliable, proven design with high flows
- Small poppet valves for tight shutoff
- Wide range of elastomers for specialty service
- Mountable in any position
- Brass and stainless steel constructions

Construction

Valve Parts in Contact with Fluids		
Body	Brass	303/304 Stainless Steel
Seals and Discs	NBR or Cast UR	
Core Tube	305 Stainless Steel	
Core and Plugnut	430F Stainless Steel	
Springs	302 Stainless Steel	
Shading Coil	Copper	Silver
Stem	CA / PA	

Electrical

Standard Coil and Class of Insulation	Watt Rating and Power Consumption				Spare Coil Part No.			
	DC Watts	AC			General Purpose		Explosionproof	
		Watts	VA Holding	VA Inrush	AC	DC	AC	DC
F	10.6	6.1	16	30	238210	238310	238214	238314
F	11.6	10.1	25	50	238610	238710	238614	238714

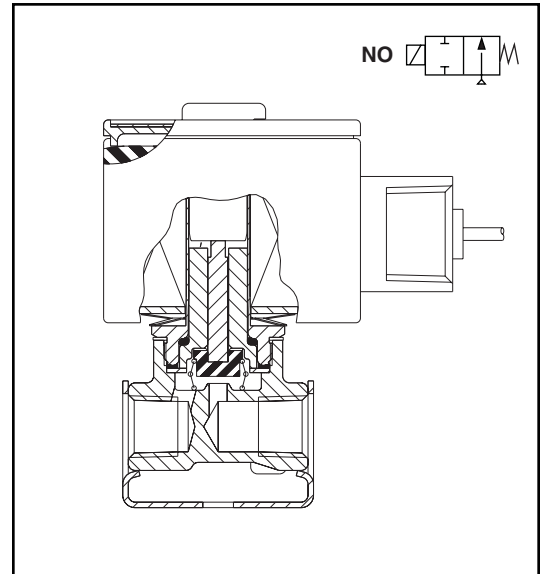
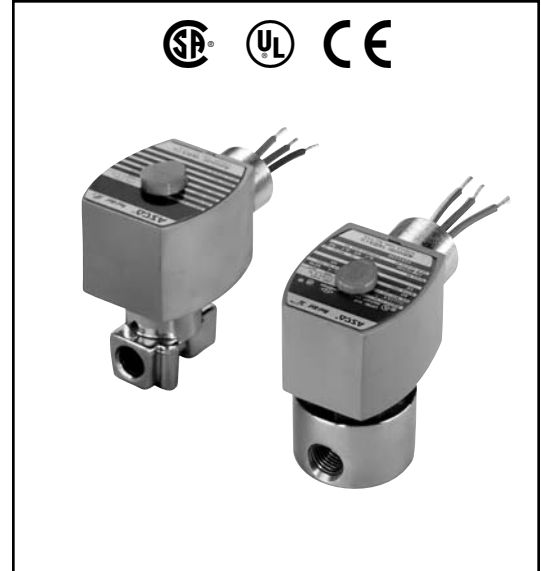
Standard Voltages: 24, 120, 240, 480 volts AC, 60 Hz (or 110, 220 volts AC, 50 Hz).
 6, 12, 24, 120, 240 volts DC. Must be specified when ordering.
 Other voltages available when required.

Solenoid Enclosures

Standard: Watertight, Types 1, 2, 3, 3S, 4, and 4X.

Optional: Explosionproof and Watertight, Types 3, 3S, 4, 4X, 6, 6P, 7, and 9.
 (To order, add prefix "EF" to catalog number)

See *Optional Features Section* for other available options.



Nominal Ambient Temp. Ranges

AC: 32°F to 125°F (0°C to 52°C)

DC: 32°F to 104°F (0°C to 40°C)

Refer to *Engineering Section* for details.

Approvals

CSA certified. UL listed, as indicated.

Meets applicable CE directives.

Refer to *Engineering Section* for details.

Specifications (English units)

Pipe Size (ins.)	Orifice Size (ins.)	Cv Flow Factor	Operating Pressure Differential (psi)						Max. Fluid Temp. °F		Brass Body			Stainless Steel Body			Watt Rating/ Class of Coil Insulation ②	
			Max. AC			Max. DC												
			Air-Inert Gas	Water	Lt. Oil @ 300 SSU	Air-Inert Gas	Water	Lt. Oil @ 300 SSU	AC	DC	Catalog Number	Const. Ref.	UL ③ Listing	Catalog Number	Const. Ref.	UL ③ Listing	AC	DC
NORMALLY OPEN (Open when de-energized), NBR Disc (except where noted)																		
1/8	1/16	.09	500	300	225	400	250	150	180	120	8262G091	2	●	8262G092	2	●	6.1/F	10.6/F
1/8	3/32	.15	275	200	150	190	110	110	180	120	8262G093	2	●	8262G094	2	●	6.1/F	10.6/F
1/8	1/8	.21	125	100	85	80	60	50	180	120	8262G031	2	●	8262G035	2	●	6.1/F	10.6/F
1/4	3/64	.06	750	700	700	500	500	500	140	140	8262G260 ①	3	●	8262G130 ①	4	●	10.1/F	11.6/F
1/4	3/32	.17	300	250	230	200	150	125	140	140	8262G261 ①	3	●	8262G134 ①	4	●	10.1/F	11.6/F
1/4	1/8	.35	130	110	100	80	60	60	180	150	8262G262	3	●	8262G138	4	●	10.1/F	11.6/F
1/4	5/32	.49	85	75	60	45	30	30	180	150	8262G263	1	●	8262G142	4	●	10.1/F	11.6/F
1/4	7/32	.83	45	45	40	25	20	20	180	150	8262G264	1	●	8262G148	4	●	10.1/F	11.6/F
1/4	9/32	.96	30	25	20	15	15	15	180	150	8262G265	1	●	8262G152	4	●	10.1/F	11.6/F

① Cast UR disc supplied as standard.

② On 50 hertz service, the rating for the 6.1/F solenoid is 8.1 watts.

③ ○ Safety Shutoff Valve; ● General Purpose Valve. Refer to Engineering Section (Approvals) for details.

Specifications (Metric units)

Pipe Size (ins.)	Orifice Size (mm)	Kv Flow Factor (m ³ /h)	Operating Pressure Differential (bar)						Max. Fluid Temp. °C		Brass Body			Stainless Steel Body			Watt Rating/ Class of Coil Insulation ②	
			Max. AC			Max. DC			AC	DC	Catalog Number	Const. Ref.	UL ③ Listing	Catalog Number	Const. Ref.	UL ③ Listing	AC	DC
			Air-Inert Gas	Water	Lt. Oil @ 300 SSU	Air-Inert Gas	Water	Lt. Oil @ 300 SSU										
NORMALLY OPEN (Open when de-energized), NBR Disc (except where noted)																		
1/8	1.6	.08	34	21	16	28	17	10	82	49	8262G091	2	●	8262G092	2	●	6.1/F	10.6/F
1/8	2.4	.13	19	14	10	13	8	8	82	49	8262G093	2	●	8262G094	2	●	6.1/F	10.6/F
1/8	3.2	.18	9	7	6	6	4	3	82	49	8262G031	2	●	8262G035	2	●	6.1/F	10.6/F
1/4	1.2	.05	52	48	48	34	34	34	60	60	8262G260 ①	3	●	8262G130 ①	4	●	10.1/F	11.6/F
1/4	2.4	.15	21	17	16	14	10	9	60	60	8262G261 ①	3	●	8262G134 ①	4	●	10.1/F	11.6/F
1/4	3.2	.30	9	8	7	6	4	4	82	65	8262G262	3	●	8262G138	4	●	10.1/F	11.6/F
1/4	4.0	.42	6	5	4	3	2	2	82	65	8262G263	1	●	8262G142	4	●	10.1/F	11.6/F
1/4	5.6	.71	3	3	3	2	1	1	82	65	8262G264	1	●	8262G148	4	●	10.1/F	11.6/F
1/4	7.1	.82	2	2	1	1	1	1	82	65	8262G265	1	●	8262G152	4	●	10.1/F	11.6/F

① Cast UR disc supplied as standard.

② On 50 hertz service, the rating for the 6.1/F solenoid is 8.1 watts.

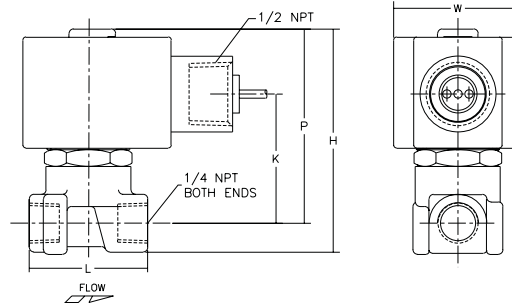
③ ○ Safety Shutoff Valve; ● General Purpose Valve. Refer to Engineering Section (Approvals) for details.

Dimensions: inches (mm)

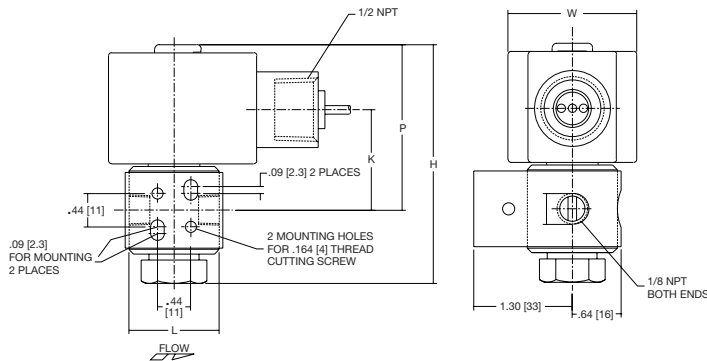
Const. Ref.		H	K	L	P	W
1	ins.	3.20	1.78	1.56	2.79	1.95
	mm	81	45	40	71	50
2	ins.	3.15	1.32	1.19	2.18	1.69
	mm	80	34	30	55	43
3	ins.	3.23	1.67	1.25	2.81	1.95
	mm	82	42	32	71	50
4	ins.	3.16	1.65	1.56	2.79	1.95
	mm	80	42	40	71	50

IMPORTANT: Valves may be mounted in any position.

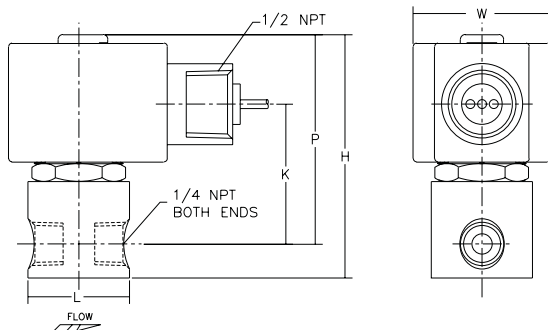
Const. Ref. 1, 3



Const. Refs. 2



Const. Ref. 4



Mounting Details

