

Resilient Seated Butterfly Valves



 A GFT COMPANY

Distributed by:
DUNCAN CO
www.duncanco.com
612-331-1776

Figures 909/919



Sizes
1.5" - 12"
Rated Up To 150 PSI

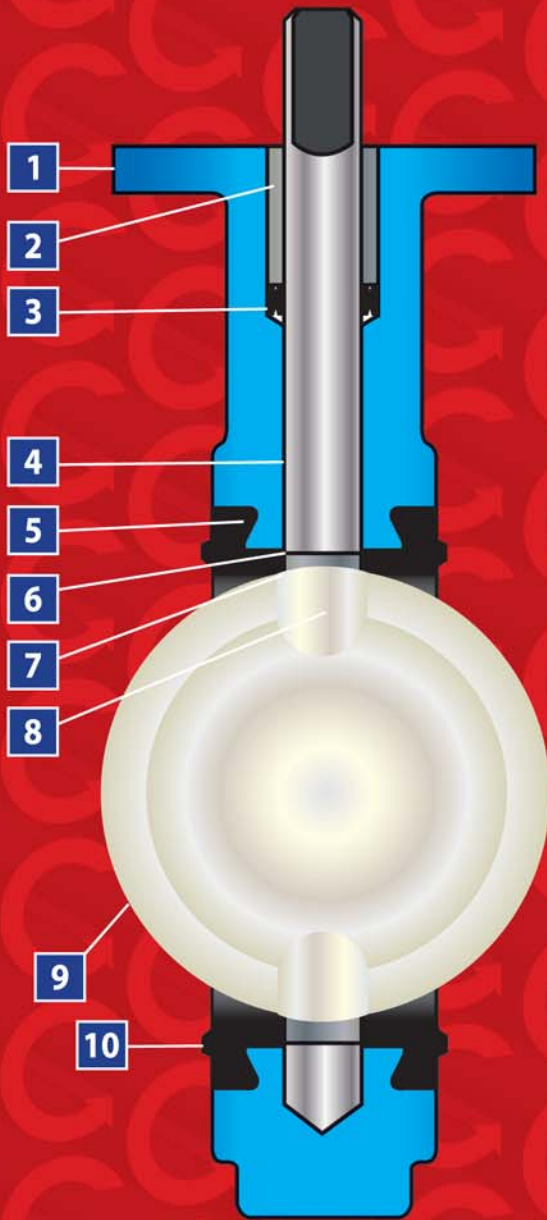


ABZ VALVES & CONTROLS
PO Box 157 • 113 W. Main • Madison, KS 66860
620-437-2440 • FAX 620-437-2435
www.abzvalve.com • info@abzvalve.com

ABZ Precision Built Butterfly Valves

Resil-O-Seat™ Seated Valves for Chemical and Abrasion Resistance Applications.

The figures 909/919 provide excellent flow characteristics with the thin profile of their one-piece disc/stem. Various materials are available for a wide selection of applications.



1 Bodies are machined to high tolerances. Guaranteed standard dimensions for interchangeability of parts and operators.

2 Top bushings protects the stem from side thrust of operators. They are made of impact and corrosion resistant materials.

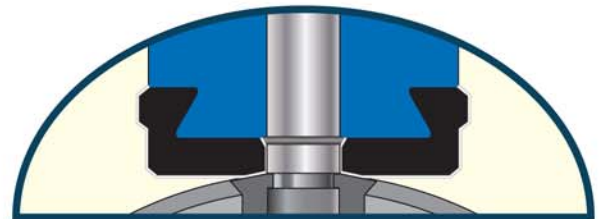


3 Special double V-shape of stem seal self-adjusts to protect the stem area for either vacuum or pressure use.

4 Two-piece body and one-piece disc/stem makes field replacement of seat and disc/stem quick and easy.

5 The special snap-in Resil-O-Seat™ design fixes seat in place without bonding. The Resil-O-Seat™ is 100% field replaceable - no special tools required.

6 The ABZ Ring Seal on the Teflon® seat is a molded part of the seat. It is of special design so as to contain an o-ring creating a positive seal around the stem as well as between the seat and valve body. This positive secondary seal eliminates leakage into the stem journal as well as migration of line media behind the seat. Teflon® ring seals are located at top and bottom on all Teflon® seated valves.



7 Stem and body are isolated from line media by the interference fit of the primary seal created between the disc and seat.

8 Specially designed disc/stem prevents distortion of disc under high pressure. Thin disc allows for maximum open flow.

9 Disc edge is individually processed through machining for a smooth edge, providing a bubble tight shut-off and maximum seat life.

10 Resil-O-Seat™ forms a seal against all standard ANSI 125/150 flanges. Gasketing requirements are eliminated.

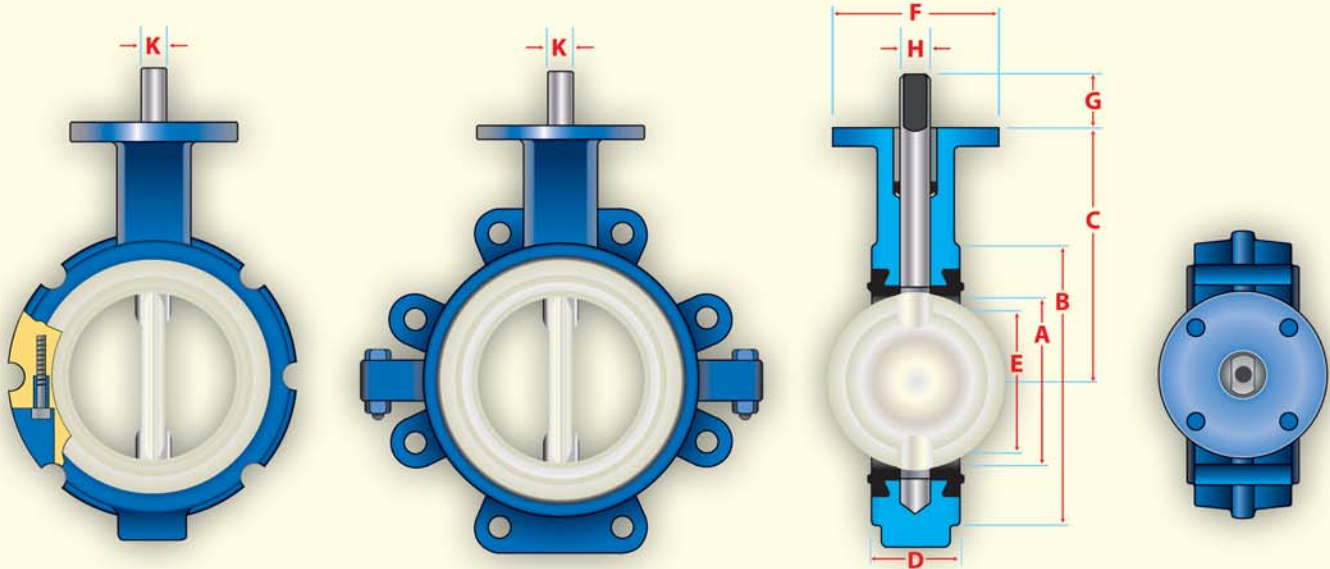


909 is a wafer style body
919 is a full lug style body



FIGURES 909/919

Valve Dimensions



All standard seats are Food Grade with the exception of Viton

Valve Size	DIMENSIONS									TOP PLATE DRILLING			FIG. 919 TAPPED LUG DATA			WEIGHT (POUNDS)	
	A	B	C	D	E	F	G	H	K	Bolt Circle	No. Holes	Hole Dia.	Bolt Circle	No. Holes	Tap	909	919
*1 1/2	1 3/4	3 1/4	3 3/4	1 3/16	1 7/16	2 3/8	3/4	3/8	1/4	1 3/4	4	9/32				3	
2	2	4 1/8	3 15/16	1 5/8	1 3/8	4	1 1/4	9/16	3/8	3 1/4	4	7/16	4 3/4	4	5/8-11 UNC	6	8
*2 1/2	2 1/2	4 3/16	4 1/2	1 3/4	2 1/16	4	1 1/4	9/16	3/8	3 1/4	4	7/16	5 1/2	4	5/8-11 UNC	7	10
3	3	5 3/8	4 7/8	1 3/4	2 9/16	4	1 1/4	9/16	3/8	3 1/4	4	7/16	6	4	5/8-11 UNC	8	11
4	4	6 3/4	6	2	3 5/8	4	1 1/4	5/8	7/16	3 1/4	4	7/16	7 1/2	8	5/8-11 UNC	13	20
*5	5	7 3/4	6	2 1/8	4 3/4	4	1 1/4	3/4	1/2	3 1/4	4	7/16	8 1/2	8	3/4-10 UNC	15	24
6	5 3/4	8 3/4	6 1/2	2 1/8	5 1/2	4	1 1/4	3/4	1/2	3 1/4	4	7/16	9 1/2	8	3/4-10 UNC	17	27
8	7 3/4	10 7/8	8 5/16	2 1/2	7 1/2	6	1 1/4	7/8	5/8	5	4	9/16	11 3/4	8	3/4-10 UNC	33	44
10	9 3/4	13 1/4	9	2 1/2	9 5/8	6	2	1 1/8	1/4	5	4	9/16	14 1/4	12	7/8-9 UNC	42	61
12	11 3/4	16 1/16	10 3/4	3	11 9/16	6	2	1 1/8	1/4	5	4	9/16	17	12	7/8-9 UNC	67	93

*Not available with Teflon® disc.

NOTES:

- Dimension "K" not applicable to 10" or 12" size. The 10" and 12" stem is round with 1/4" Key.
- The figures 909 and 919 cannot be used on pipe or flange with an inside diameter less than "E" dimension.
- Valves are rated up to 150 PSI bi-directional service and 75 PSI end of line rating. Undercut disc is rated up to 50 PSI bi-directional service and 25 PSI end of line rating. Teflon® covered disc rated to 150 PSI bi-directional service, 75 PSI end of line rating and not available in undercut. Teflon® seats and are not available with an undercut disc. 1.5" valve not available in lug body, with Teflon® or undercut disc.
- Designed in accordance with sections of API 609 Category A, ASME 16.1/16.5, ASME 16.34 and MSS SP67. Design tested in accordance with API 598.
- Compatible with ANSI Class 125/150 flange standards.

STANDARD CONSTRUCTION SPECIFICATIONS:

Body: Cast Iron, 316 Stainless Steel and Aluminum (Wafer)

Disc/Stem: 316 Stainless Steel, 17-4 Stainless Steel, and 17-4 Stainless Steel / Teflon® covered Disc

Resilient Seat: Teflon®. Seats with EPDM, Buna or Viton backing material. EPDM, Buna-N, Viton

Stem Bushing: Teflon® – Graphite Impregnated

Stem Packing: Buna-N and Viton

Additional materials are available for a wide selection of applications.



Rated Flow Coefficient (Cv) - Figure 909/919

Valve Size	ANGLE OF DISC OPENING								
	10°	20°	30°	40°	50°	60°	70°	80°	90°
1 1/2	0.22	1.7	6	12	23	41	71	109	155
2	1.67	7.7	17	29	49	76	121	184	263
2 1/2	2.50	11.0	25	44	70	112	186	321	445
3	3.33	15.7	37	64	107	170	290	492	701
4	5.00	27.7	63	111	180	286	499	926	1,321
5	8.33	43.7	99	178	280	456	794	1,473	2,123
6	13.33	58.7	136	243	391	634	1,129	1,950	2,826
8	20.00	107.3	247	436	697	1,127	1,940	3,604	5,272
10	31.67	174.0	394	699	1,108	1,823	3,132	5,733	8,395
12	47.00	251.7	578	1,007	1,690	2,734	4,618	8,309	12,214

Sized for stainless disc, does not cover encapsulated disc trims.

Cv is defined as the volume of water in U.S.G.P.M. that will flow through a given restriction or valve opening with a pressure drop of one (1) p.s.i. at room temperature. Recommended control angles are between 20°-70° open.

Torque Chart - Figure 909/919

Valve Size	NORMAL CONDITIONS				SEVERE CONDITIONS			
	Δ P=0	Δ P=50	Δ P=100	Δ P=150	Δ P=0	Δ P=50	Δ P=100	Δ P=150
1 1/2	107	114	120	127	133	143	150	160
2	221	230	240	250	373	384	400	406
2 1/2	269	283	288	302	454	464	475	486
3	322	341	365	379	540	568	589	611
4	480	514	542	576	816	848	886	918
5	653	706	754	806	1,102	1,162	1,220	1,274
6	907	1,008	1,109	1,210	1,529	1,642	1,756	1,868
8	1,512	1,714	1,915	2,112	2,549	2,776	3,002	3,229
10	2,318	2,621	2,900	3,224	3,910	4,250	4,590	4,931
12	3,125	3,629	4,138	4,637	5,270	5,838	6,404	6,971

Undercut disc available.

All torques shown in inch lbs. 20% Safety factor already included.



ABZ VALVES & CONTROLS, INC. A Global Flow Technologies Company

P.O. Box 157 • 113 West Main • Madison, KS 66860
 PHONE: 620-437-2440 • FAX: 620-437-2435
 www.abzvalve.com • www.globalflowtech.com
 info@abzvalve.com

The data presented in this bulletin is for general information only. Manufacture is not responsible for compatibility or acceptability of these products in relation to system requirements. Patents and Patents Pending in U.S. and foreign countries. All rights reserved. Printed in U.S.A. ABZ reserves the right to change product designs and specifications without notice. Copyright 2008.

